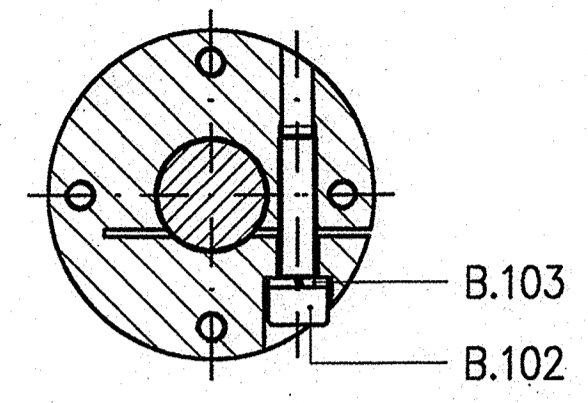
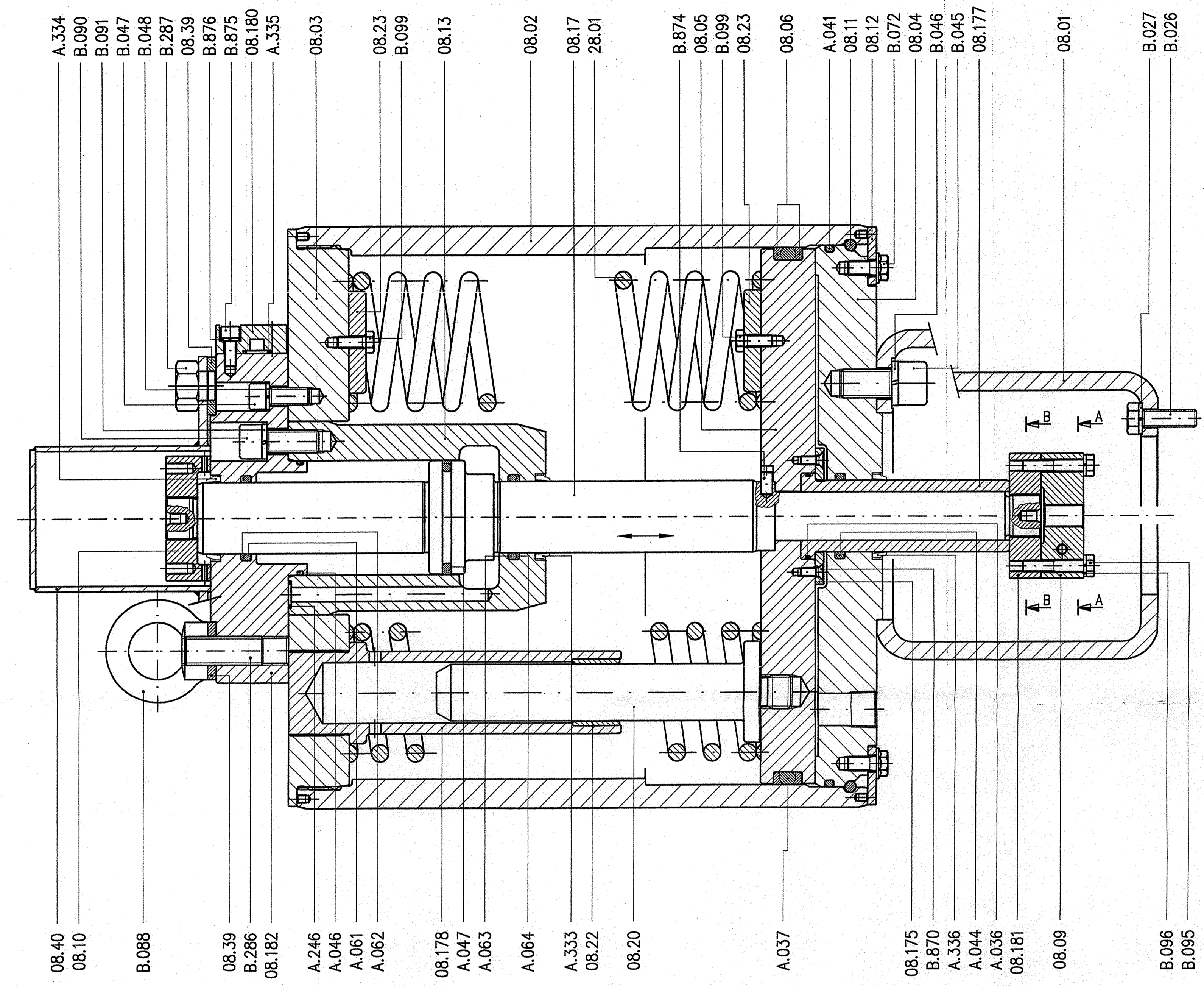


SECTION A-A



SECTION B-B

Client : PIDEK EUROPE GMBH
 P.O. No. : 1182-POR-IN-649
 Location : 2ND ZAGRON METH. PLANT
 Serial No : 37995-001

FOR ASSEMBLY DRAWING
 OF VALVE SEE
 DOC.No.: 37995-150

FOR PARTSLIST
 OF ACTUATOR SEE
 DOC.No.: 37995-153

C									
B									
A	16 feb. 2005	RJER	RJER	CSun					
O	04 feb. 2005	RJER	RJER	CSun					
rev.	date	by	c'kd	eng	description				

This drawing is the property of Mokveld valves Gouda Holland. It may not be copied, nor reproduced, or be shown to third persons without written authorization of Mokveld valves. (Parts of) this drawing might contain Patented items.
 ©Mokveld valves bv, Gouda, The Netherlands. 2005

ASSEMBLY DRAWING of pneum. actuator
 M575-1VS-4 with hydr. cylinder

Mokveld w.o.
 quantity 14/37995
 drawing no. 1 x
 Mokveld valves 37995-152A