

Copying of this document, and giving it to others and the use or communication of the contents thereof, are forbidden without express authority by Lurgi. Offenders are liable to the payment of damages. All rights are reserved in the event of the grant of a patent or the registration of a utility model or design.

mg engineering
Lurgi



SAMSON AG
Control Valves
MECHANICAL CATALOGUE



Owner:

ZAGROS PETROCHEMICAL
COMPANY (ZPC)

Hook ups

V12/sro	2004-09-01	V12/lf	V12/di	2004-09-10	IFR	FIRST ISSUE / FINAL ISSUE			
Name	Date	Name	Name	Date	Status	Remark, kind of revision			
Prepared, revised		Checked	Approved			Remark, kind of revision			
Contractor:  PETROCHEMICAL INDUSTRIES DESIGN & ENGINEERING CO. شرکت طراحی و مهندسی صنایع پتروشیمی						Owner Project No:	Contractor Order No:	Q.L.	DCC
						232000	1182-POR-IN-644	-	-
						Vendor Order Ref.			
						616 100			
mg engineering <i>Lurgi</i>	Project Name				Lurgi Doc. No.	Vendor Doc. No.	Sheet / of	Revision	
	2nd ZAGROS METHANOL PLANT					SAM-121	1/16	00	

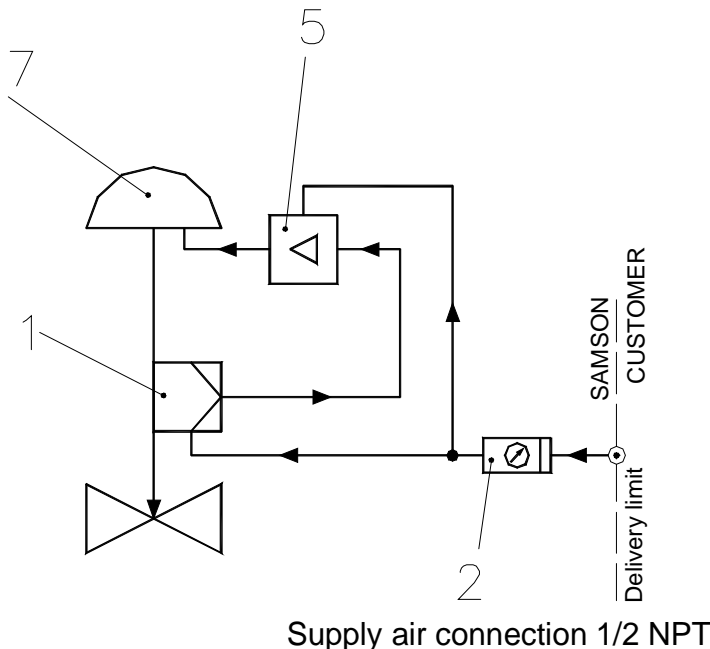


Verrohrungsplan / Hook up Plan\ No. 1 (3277)

SAMSON No:	616 100
Project:	2 nd ZAGROS Methanol Plant
Date:	2004-09-01
Name:	V12/sro

Revision:

Pos.	Meßstelle
Pos.	Tag No.
	FV-150725
	FV-150630
	FV-101433
	FV-101432



Pos	Stck.	Bezeichnung	Typ / Fabr.	pn. Anchl.	Sachnr.
Pos	Qty.	Description	Type / Manuf.	pneu. Con.	Part No.
1		Stellungsregler/ Positioner	3780-120 Gauges IP65 Eex ia	1¼" NPT	
2		Zuluftstation/ Air set	B74G-6AK-AP3-RMN Norgren	¾" NPT	
3		Magnetventil/ Solenoid valve			
4		Drossel/ Throttle valve			
5		Volumenverstärker/ Booster	8523-0084 SMC EIL100	G ¾"	
6		Schnellentlüfter/ Quick exhaust			
7		Antrieb/ Actuator	3277-700cm2 SAMSON	1¼" NPT	
8		Verblockrelais/ Lock up valve			
9		Sonstiges / Miscellaneous			
10					
11					
12		Pneu. Anschlußverschraubung / Pn. Connection			
13		Ausblaseschalldämpfer/ Vent Filter			
14		Filter/ Filter	<input type="checkbox"/> IP54 <input type="checkbox"/> IP65		
15					

Rohr/ Pipe	Größe/ Size	Dimensions	Material
	12	{cm} [inch]	St.St.
Fitting	<input type="checkbox"/> ERMETO <input checked="" type="checkbox"/> SWAGELOK <input type="checkbox"/> PARKER <input type="checkbox"/>		
Stellzeit/ Stroking time	Bewegungsrichtung/ Direction	100 ... 0%	0...100%
	Vorgabe/ requested [s]		
	Gemessen/ measured [s]		

Funktion / Function



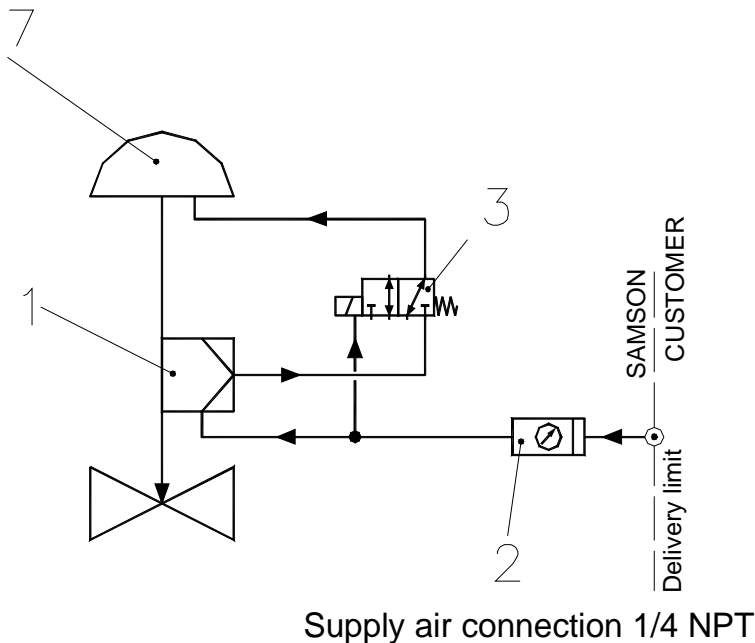
**Verrohrungsplan / Hook up
Plan\ No. 3**

SAMSON No:	616 100
Project:	2nd ZAGROS Methanol Plant
Date:	2004-09-01
Name:	V12/sro

Revison:

--	--	--	--

Pos.	Meßstelle
Pos.	Tag No.
	FV-100406



Pos	Stck.	Bezeichnung	Typ / Fabr.	pn. Anschl.	Sachnr.
Pos	Qty.	Description	Type / Manuf.	pneu. Con.	Part No.
1		Stellungsregler/ Positioner	3787-100 Gauges IP65 Eex ia	1¼" NPT	
2		Zuluftstation/ Air set	B74G-4AK-AP3-RMN Norgren	1¼" NPT	
3		Magnetventil/ Solenoid valve	3963-1353 SAMSOMATIC	1¼" NPT	
4		Drossel/ Throttle valve			
5		Volumenverstärker/ Booster			
6		Schnellentlüfter/ Quick exhaust			
7		Antrieb/ Actuator	3277-700cm2 SAMSON	1¼" NPT	
8		Verblockrelais/ Lock up valve			
9		Sonstiges / Miscellaneous			
10					
11					
12		Pneu. Anschlußverschraubung / Pn. Connection			
13		Ausblaseschalldämpfer/ Vent Filter			
14		Filter/ Filter	<input type="checkbox"/> IP54 <input type="checkbox"/> IP65		
15					

Rohr/ Pipe	Größe/ Size	Dimensions	Material	
	1½	{cm} [inch]	St.St.	
Fitting	<input type="checkbox"/> ERMETO <input checked="" type="checkbox"/> SWAGELOK <input type="checkbox"/> PARKER <input type="checkbox"/>			
Stellzeit/ Stroking time	Bewegungsrichtung/ Direction	100 ... 0%	0...100%	ON/OFF mit Magnetventil (with Solenoidvalve)
	Vorgabe/ requested [s]			
	Gemessen/ measured [s]			

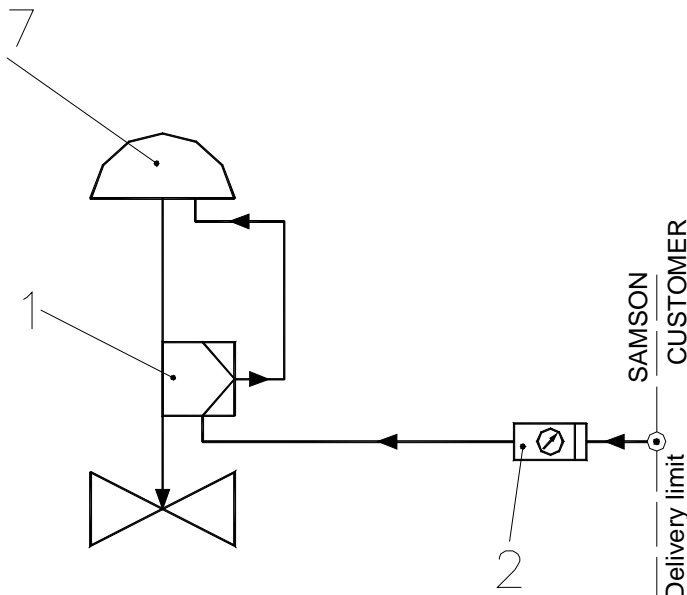
Funktion / Function



**Verrohrungsplan / Hook up
Plan\ No. 4**

Revison:

SAMSON No:	616 100
Project:	2nd ZAGROS Methanol Plant
Date:	2004-09-01
Name:	V12/sro



Supply air connection 1/4 NPT

Pos.	Meßstelle
Pos.	Tag No.
	FV-100429
	FV-100512
	LV-100411
	LV-101308
	LV-101309
	LV-101512A
	LV-101512B
	PV-100201
	PV-100513
	PV-101502B
	LV-150406
	LV-150505
	PV-150101
	PV-250103
	FV-250102
	FV-250105
	PV-250102B
	FV-300203
	FV-300305
	FV-300306
	FV-300510B
	FV-300920

Pos	Stck.	Bezeichnung	Typ / Fabr.	pn. Anschl.	Sachnr.
Pos	Qty.	Description	Type / Manuf.	pneu. Con.	Part No.
1		Stellungsregler/ Positioner	3787-100 Gauges IP65 Eex ia	1¼" NPT	
2		Zuluftstation/ Air set	B74G-4AK-AP3-RMN Norgren	1¼" NPT	
3		Magnetventil/ Solenoid valve			PV-300101
4		Drossel/ Throttle valve			
5		Volumenverstärker/ Booster			
6		Schnellentlüfter/ Quick exhaust			
7		Antrieb/ Actuator	3277-350\ 700cm2 SAMSON	1¼" NPT	
8		Verblockrelais/ Lock up valve			
9		Sonstiges / Miscellaneous			
10					
11					
12		Pneu. Anschlußverschraubung / Pn. Connection			
13		Ausblaseschalldämpfer/ Vent Filter			
14		Filter/ Filter	<input type="checkbox"/> IP54 <input type="checkbox"/> IP65		
15					

Rohr/ Pipe	Größe/ Size	Dimensions	Material
	1½	{cm} [inch]	St.St.
Fitting	<input type="checkbox"/> ERMETO <input checked="" type="checkbox"/> SWAGELOK <input type="checkbox"/> PARKER <input type="checkbox"/>		
Stellzeit/ Stroking time	Bewegungsrichtung/ Direction	100 ... 0%	0...100%
	Vorgabe/ requested [s]		
	Gemessen/ measured [s]		

Funktion / Function

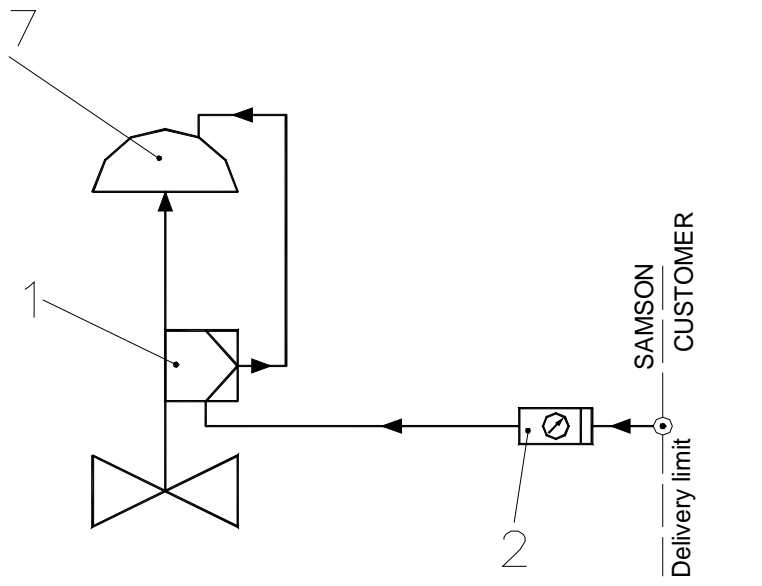


Verrohrungsplan / Hook up Plan\ No. 10

SAMSON No:	616 100
Project:	2nd ZAGROS Methanol Plant
Date:	2004-09-01
Name:	V12/sro

Revision:			
-----------	--	--	--

Pos.	Meßstelle
Pos.	Tag No.
	LV-101602
	PV-1015021
	FV-150411
	PV-300909A



Pos	Stck.	Bezeichnung	Typ / Fabr.	pn. Anschl.	Sachnr.
Pos	Qty.	Description	Type / Manuf.	pneu. Con.	Part No.
1		Stellungsregler/ Positioner	3787-100 Gauges IP65 Eex ia	1 1/4" NPT	
2		Zulufstation/ Air set	B74G-4AK-AP3-RMN Norgren	1 1/4" NPT	
3		Magnetventil/ Solenoid valve			
4		Drossel/ Throttle valve			
5		Volumenverstärker/ Booster			
6		Schnellentlüfter/ Quick exhaust			
7		Antrieb/ Actuator	3277-350\ 700cm2 SAMSON	1 1/4" NPT	
8		Verblockrelais/ Lock up valve			
9		Sonstiges / Miscellaneous			
10					
11					
12		Pneu. Anschlußverschraubung / Pn. Connection			
13		Ausblaseschalldämpfer/ Vent Filter			
14		Filter/ Filter	<input type="checkbox"/> IP54 <input type="checkbox"/> IP65		
15					

Rohr/ Pipe	Größe/ Size	Dimensions	Material
	1 1/2	{cm} [inch]	St.St.
Fitting	<input type="checkbox"/> ERMETO <input checked="" type="checkbox"/> SWAGELOK <input type="checkbox"/> PARKER <input type="checkbox"/>		
Stellzeit/ Stroking time	Bewegungsrichtung/ Direction	100 ... 0%	0....100%
	Vorgabe/ requested [s]		
	Gemessen/ measured [s]		

Funktion / Function

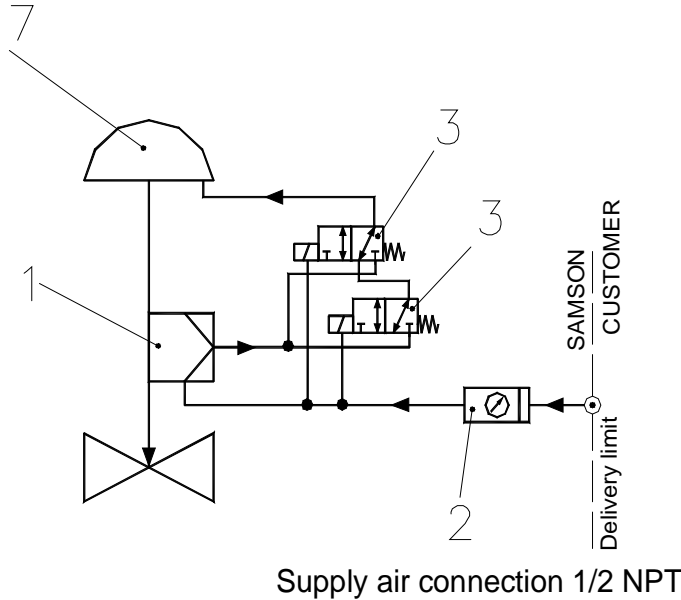


**Verrohrungsplan / Hook up
Plan\ No. 18**

SAMSON No:	616 100
Project:	2nd ZAGROS Methanol Plant
Date:	2004-09-01
Name:	V12/sro

Revison:

Pos.	Meßstelle
Pos.	Tag No.
	FV-100326



Pos	Stck.	Bezeichnung	Typ / Fabr.	pn. Anschl.	Sachnr.
Pos	Qty.	Description	Type / Manuf.	pneu. Con.	Part No.
1		Stellungsregler/ Positioner	3787-100 Gauges IP65 Eex ia	1¼" NPT	
2		Zulufstation/ Air set	B74G-4AK-AP3-RMN Norgren	1¼" NPT	
3		Magnetventil/ Solenoid valve	3963-1353 SAMSOMATIC	1¼" NPT	
4		Drossel/ Throttle valve			
5		Volumenverstärker/ Booster			
6		Schnellentlüfter/ Quick exhaust			
7		Antrieb/ Actuator	3277-700cm2 SAMSON	1¼" NPT	
8		Verblockrelais/ Lock up valve			
9		Sonstiges / Miscellaneous			
10					
11					
12		Pneu. Anschlußverschraubung / Pn. Connection			
13		Ausblaseschalldämpfer/ Vent Filter			
14		Filter/ Filter	<input type="checkbox"/> IP54 <input type="checkbox"/> IP65		
15					

Rohr/ Pipe	Größe/ Size	Dimensions	Material
	1½	{cm} {inch}	St.St.
Fitting	<input type="checkbox"/> ERMETO <input checked="" type="checkbox"/> SWAGELOK <input type="checkbox"/> PARKER <input type="checkbox"/>		
Stellzeit/ Stroking time	Bewegungsrichtung/ Direction	100 ... 0%	0....100%
	Vorgabe/ requested [s]		
	Gemessen/ measured [s]		

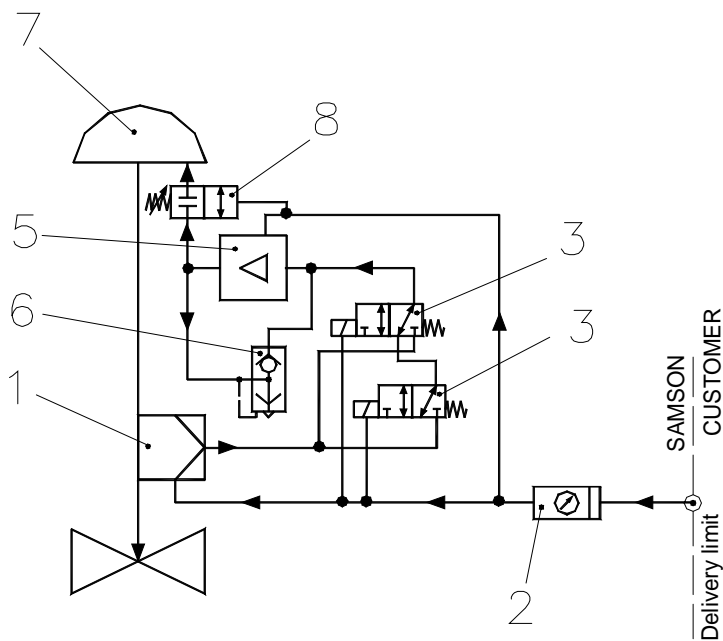
Funktion / Function



**Verrohrungsplan / Hook up
Plan\ No. 20**

SAMSON No:	616 100
Project:	2nd ZAGROS Methanol Plant
Date:	2004-09-01
Name:	V12/sro

Revison:				
-----------------	--	--	--	--



Supply air connection 1/4 NPT

Pos.	Meßstelle
	Tag No.
	FV-100704
	FV-101041

Pos	Stck.	Bezeichnung	Typ / Fabr.	pn. Anschl.	Sachnr.
Pos	Qty.	Description	Type / Manuf.	pneu. Con.	Part No.
1		Stellungsregler/ Positioner	3780-120 Gauges IP65 Eex ia	1 1/4" NPT	
2		Zulufstation/ Air set	B74G-6AK-AP3-RMN Norgren	3/4" NPT	
3		Magnetventil/ Solenoid valve	3963-1353 SAMSOMATIC	1 1/4" NPT	
4		Drossel/ Throttle valve			
5		Volumenverstärker/ Booster	8523-0084 SMC EIL100	G 3/8"	
6		Schnellentlüfter/ Quick exhaust			
7		Antrieb/ Actuator	3271-1400cm2 SAMSON	1 1/4" NPT	
8		Verblockrelais/ Lock up valve			
9		Sonstiges / Miscellaneous			
10					
11					
12		Pneu. Anschlußverschraubung / Pn. Connection			
13		Ausblaseschalldämpfer/ Vent Filter			
14		Filter/ Filter	<input type="checkbox"/> IP54 <input type="checkbox"/> IP65		
15					

Rohr/ Pipe	Größe/ Size		Dimensions		Material	
	1 1/2		{cm}	{inch}	St.St.	
Fitting	<input type="checkbox"/> ERMETO <input checked="" type="checkbox"/> SWAGELOK <input type="checkbox"/> PARKER <input type="checkbox"/>					
Stellzeit/ Stroking time	Bewegungsrichtung/ Direction		100 ... 0%	0....100%	ON/OFF mit Magnetventil (with Solenoidvalve)	
	Vorgabe/ requested [s]					
	Gemessen/ measured [s]					

Funktion / Function

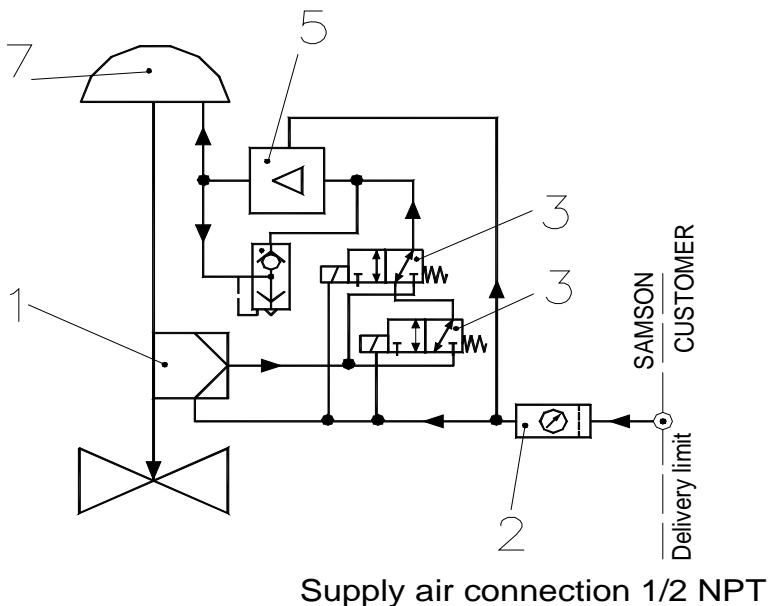


**Verrohrungsplan / Hook up
Plan\ No. 21**

SAMSON No:	616 100
Project:	2nd ZAGROS Methanol Plant
Date:	2004-09-01
Name:	V12/sro

Revison:				
-----------------	--	--	--	--

Pos.	Meßstelle
Pos.	Tag No.
	FV-100825
	FV-100831



Pos	Stck.	Bezeichnung	Typ / Fabr.	pn. Anschl.	Sachnr.
Pos	Qty.	Description	Type / Manuf.	pneu. Con.	Part No.
1		Stellungsregler/ Positioner	3780-120 Gauges IP65 Eex ia	1¼" NPT	
2		Zulufstation/ Air set	B74G-6AK-AP3-RMN Norgren	¾" NPT	
3		Magnetventil/ Solenoid valve	3963-1353 SAMSOMATIC	1¼" NPT	
4		Drossel/ Throttle valve			
5		Volumenverstärker/ Booster	8523-0084 SMC EIL100	G 3/8"	
6		Schnellentlüfter/ Quick exhaust			
7		Antrieb/ Actuator	3271-1400\2800cm2 SAMSON	1¼" NPT	
8		Verblockrelais/ Lock up valve			
9		Sonstiges / Miscellaneous			
10					
11					
12		Pneu. Anschlußverschraubung / Pn. Connection			
13		Ausblaseschalldämpfer/ Vent Filter			
14		Filter/ Filter	<input type="checkbox"/> IP54 <input type="checkbox"/> IP65		
15					

Rohr/ Pipe	Größe/ Size	Dimensions	Material
	1½	[cm] [inch]	St.St.

Fitting	<input type="checkbox"/> ERMETO <input checked="" type="checkbox"/> SWAGELOK <input type="checkbox"/> PARKER <input type="checkbox"/>
----------------	---

Stellzeit/ Stroking time	Bewegungsrichtung/ Direction	100 ... 0%	0...100%	ON/OFF mit Magnetventil (with Solenoidvalve)
	Vorgabe/ requested [s]			
	Gemessen/ measured [s]			

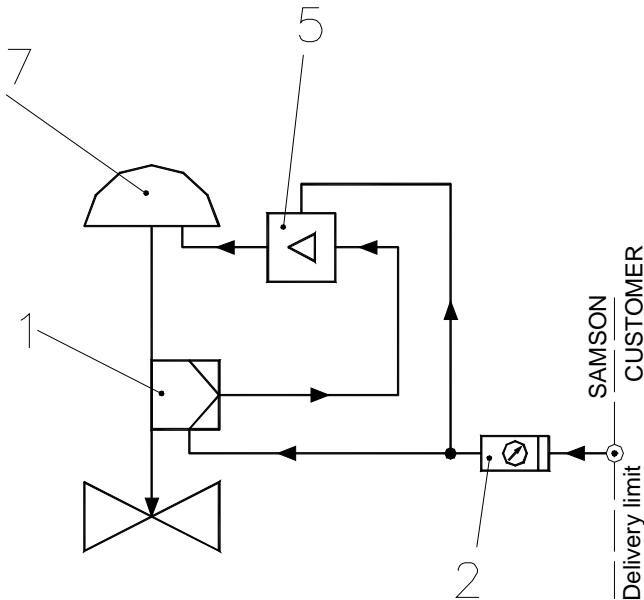
Funktion / Function



Verrohrungsplan / Hook up Plan\ No. 1 (3271)

SAMSON No:	525000-Lurgi
Project:	2 nd ZAGROS Methanol Plant
Date:	2004-09-01
Name:	V12/sro

Revison:			
-----------------	--	--	--



Supply air connection 1/2 NPT

Pos.	Meßstelle
Pos.	Tag No.
	FV-101435
	FV-101439
	FV-101441
	FV-101441
	LV-100416
	PV-100529A
	PV-100529B
	FV-150610
	FV-150636
	PV-150601B
	PV-150611
	PV-150612
	PV-200307B
	PV-250102A
	FV-300408
	LV-300406
	LV-300407
	LV-300609

Pos	Stck.	Bezeichnung	Typ / Fabr.	pn. Anschl.	Sachnr.
Pos	Qty.	Description	Type / Manuf.	pneu. Con.	Part No.
1		Stellungsregler/ Positioner	3780-120 Gauges IP65 Eex ia	1 1/4" NPT	
2		Zulufstation/ Air set	B74G-6AK-AP3-RMN Norgren	3/4" NPT	
3		Magnetventil/ Solenoid valve			
4		Drossel/ Throttle valve			
5		Volumenverstärker/ Booster	8523-0084 SMC EIL100	G 3/8"	
6		Schnellentlüfter/ Quick exhaust			
7		Antrieb/ Actuator	3271-1400\2800cm2 SAMSON	1 1/4" NPT	
8		Verblockrelais/ Lock up valve			
9		Sonstiges / Miscellaneous			
10					
11					
12		Pneu. Anschlußverschraubung / Pn. Connection			
13		Ausblaseschalldämpfer/ Vent Filter			
14		Filter/ Filter	<input type="checkbox"/> IP54 <input type="checkbox"/> IP65		
15					

Rohr/ Pipe	Größe/ Size	Dimensions	Material
	1 1/2	[cm] [inch]	St.St.
Fitting	<input type="checkbox"/> ERMETO <input checked="" type="checkbox"/> SWAGELOK <input type="checkbox"/> PARKER <input type="checkbox"/>		
Stellzeit/ Stroking time	Bewegungsrichtung/ Direction	100 ... 0%	0...100%
	Vorgabe/ requested [s]		
	Gemessen/ measured [s]		

Funktion / Function



**Verrohrungsplan / Hook up
Plan\ No. 22 (3271)**

Revison:

SAMSON No:

616 100

Project:

2nd ZAGROS Methanol Plant

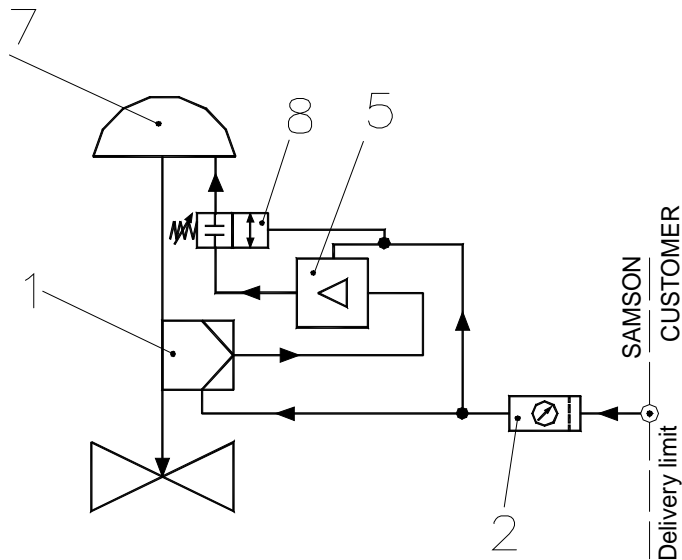
Date:

2004-09-01

Name:

V12/sro

Pos.	Meßstelle
Pos.	Tag No.
	FV-101229A



Supply air connection 1/4 NPT

Pos	Stck.	Bezeichnung	Typ / Fabr.	pn. Anchl.	Sachnr.
Pos	Qty.	Description	Type / Manuf.	pneu. Con.	Part No.
1		Stellungsregler/ Positioner	3787-100 Gauges IP65 Eex ia	1 1/4" NPT	
2		Zuluftstation/ Air set	B74G-6AK-AP3-RMN Norgren	3/4" NPT	
3		Magnetventil/ Solenoid valve			
4		Drossel/ Throttle valve			
5		Volumenverstärker/ Booster	8523-0084 SMC EIL100	G 3/8"	
6		Schnellentlüfter/ Quick exhaust			
7		Antrieb/ Actuator	3271-1400cm2 SAMSON	1 1/4" NPT	
8		Verblockrelais/ Lock up valve	3709-1		
9		Sonstiges / Miscellaneous			
10					
11					
12		Pneu. Anschlußverschraubung / Pn. Connection			
13		Ausblaseschalldämpfer/ Vent Filter			
14		Filter/ Filter	<input type="checkbox"/> IP54 <input type="checkbox"/> IP65		
15					

Rohr/ Pipe	Größe/ Size	Dimensions		Material
	1 1/2	{cm} [inch]		St.St.

Fitting ERMETO SWAGELOK PARKER

Stellzeit/ Stroking time	Bewegungsrichtung/ Direction	100 ... 0%	0... 100%	ON/OFF mit Magnetventil (with Solenoidvalve)
	Vorgabe/ requested [s]			
	Gemessen/ measured [s]			

Funktion / Function

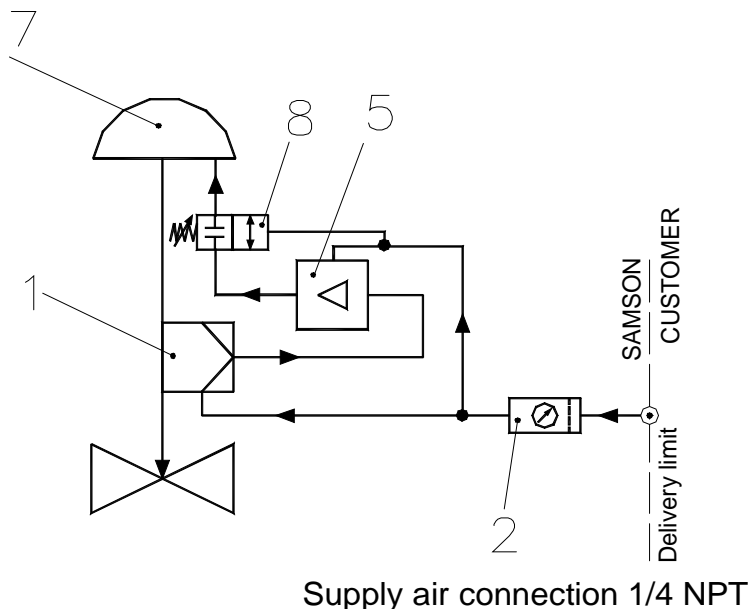


Verrohrungsplan / Hook up Plan\ No. 22 (3277)

SAMSON No:	616 100
Project:	2nd ZAGROS Methanol Plant
Date:	2004-09-01
Name:	V12/sro

Revision:				
------------------	--	--	--	--

Pos.	Meßstelle
Pos.	Tag No.
	PV-300808
	PV-300909B



Pos	Stck.	Bezeichnung	Typ / Fabr.	pn. Anschl.	Sachnr.
Pos	Qty.	Description	Type / Manuf.	pneu. Con.	Part No.
1		Stellungsregler/ Positioner	3787-100 Gauges IP65 Eex ia	1¼" NPT	
2		Zuluftstation/ Air set	B74G-6AK-AP3-RMN Norgren	¾" NPT	
3		Magnetventil/ Solenoid valve			
4		Drossel/ Throttle valve			
5		Volumenverstärker/ Booster	8523-0084 SMC EIL100	G 3/8"	
6		Schnellentlüfter/ Quick exhaust			
7		Antrieb/ Actuator	3277-120\700cm2 SAMSON	1¼" NPT	
8		Verblockrelais/ Lock up valve	3709-1		
9		Sonstiges / Miscellaneous			
10					
11					
12		Pneu. Anschlußverschraubung / Pn. Connection			
13		Ausblaseschalldämpfer/ Vent Filter			
14		Filter/ Filter	<input type="checkbox"/> IP54 <input type="checkbox"/> IP65		
15					

Rohr/ Pipe	Größe/ Size	Dimensions	Material
	1½	{cm} [inch]	St.St.
Fitting	<input type="checkbox"/> ERMETO <input checked="" type="checkbox"/> SWAGELOK <input type="checkbox"/> PARKER <input type="checkbox"/>		

Stellzeit/ Stroking time	Bewegungsrichtung/ Direction	100 ... 0%	0...100%	ON/OFF mit Magnetventil (with Solenoidvalve)
	Vorgabe/ requested [s]			
	Gemessen/ measured [s]			

Funktion / Function

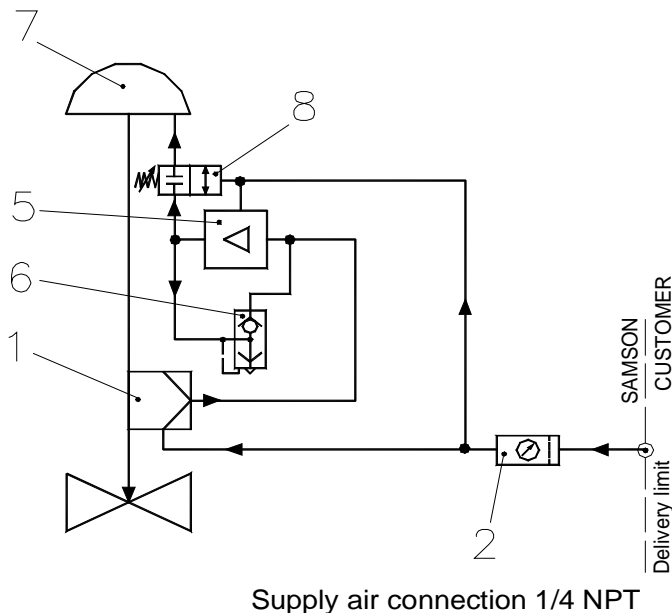


**Verrohrungsplan / Hook up
Plan\ No.23**

SAMSON No:	616 100
Project:	2nd ZAGROS Methanol Plant
Date:	2004-09-01
Name:	V12/sro

Revison: [] [] [] [] []

Pos.	Meßstelle
Pos.	Tag No.
	FV-101229B
	LV-150101A
	LV-200403



Pos	Stck.	Bezeichnung	Typ / Fabr.	pn. Anschl.	Sachnr.
Pos	Qty.	Description	Type / Manuf.	pneu. Con.	Part No.
1		Stellungsregler/ Positioner	3787-100 Gauges IP65 Eex ia	1 1/4" NPT	
2		Zuluftstation/ Air set	B74G-6AK-AP3-RMN Norgren	3/4" NPT	
3		Magnetventil/ Solenoid valve			
4		Drossel/ Throttle valve			
5		Volumenverstärker/ Booster	2625		
6		Schnellentlüfter/ Quick exhaust	8502-0144	G 3/4"	
7		Antrieb/ Actuator	3271-2800cm ² SAMSON	1 1/4" NPT	
8		Verblockrelais/ Lock up valve	3709-1		
9		Sonstiges / Miscellaneous			
10					
11					
12		Pneu. Anschlußverschraubung / Pn. Connection			
13		Ausblaseschalldämpfer/ Vent Filter			
14		Filter/ Filter	<input type="checkbox"/> IP54 <input type="checkbox"/> IP65		
15					

Rohr/ Pipe	Größe/ Size 1 1/2	Dimensions {cm} {inch}	Material St.St.	
Fitting	<input type="checkbox"/> ERMETO <input checked="" type="checkbox"/> SWAGELOK <input type="checkbox"/> PARKER <input type="checkbox"/>			
Stellzeit/ Stroking time	Bewegungsrichtung/ Direction	100 ... 0%	0....100%	ON/OFF mit Magnetventil (with Solenoidvalve)
	Vorgabe/ requested [s]			
	Gemessen/ measured [s]			

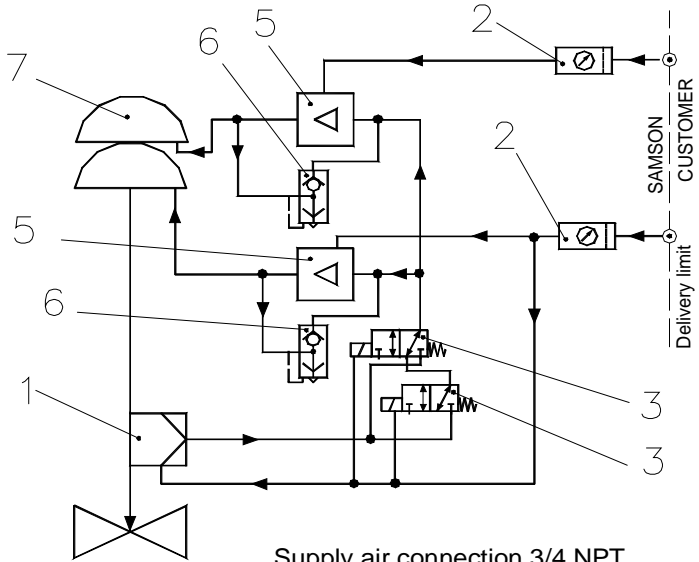
Funktion / Function



**Verrohrungsplan / Hook up
Plan\ No. 25**

Revision:					SAMSON No:	616 100
					Project:	2nd ZAGROS Methanol Plant
					Date:	2004-09-01
					Name:	V12/sro

Pos.	Meßstelle
Pos.	Tag No.
	FV-101019
	FV-101039



Pos	Stck.	Bezeichnung	Typ / Fabr.	pn. Anschl.	Sachnr.
Pos	Qty.	Description	Type / Manuf.	pneu. Con.	Part No.
1		Stellungsregler/ Positioner	3780-120 Gauges IP65 Ee ia	1½" NPT	
2		Zuluftstation/ Air set	B74G-6AK-AP3-RMN Norgren	¾" NPT	
3		Magnetventil/ Solenoid valve	3963-1353 SAMSOMATIC	1½" NPT	
4		Drossel/ Throttle valve			
5		Volumenverstärker/ Booster	2625		
6		Schnellentlüfter/ Quick exhaust	8502-0144	G ¾"	
7		Antrieb/ Actuator	3271 Tandem 2800x2cm2	1½" NPT	
8		Verblockrelais/ Lock up valve			
9		Sonstiges / Miscellaneous			
10					
11					
12		Pneu. Anschlußverschraubung / Pn. Connection			
13		Ausblaseschalldämpfer/ Vent Filter			
14		Filter/ Filter	<input type="checkbox"/> IP54 <input type="checkbox"/> IP65		
15					

Rohr/ Pipe	Größe/ Size	Dimensions	Material
	1½	{cm} [inch]	St.St.
Fitting	<input type="checkbox"/> ERMETO <input checked="" type="checkbox"/> SWAGELOK <input type="checkbox"/> PARKER <input type="checkbox"/>		

Stellzeit/ Stroking time	Bewegungsrichtung/ Direction	100 ... 0%	0...100%	ON/OFF mit Magnetventil (with Solenoidvalve)
	Vorgabe/ requested [s]			
	Gemessen/ measured [s]			

Funktion / Function

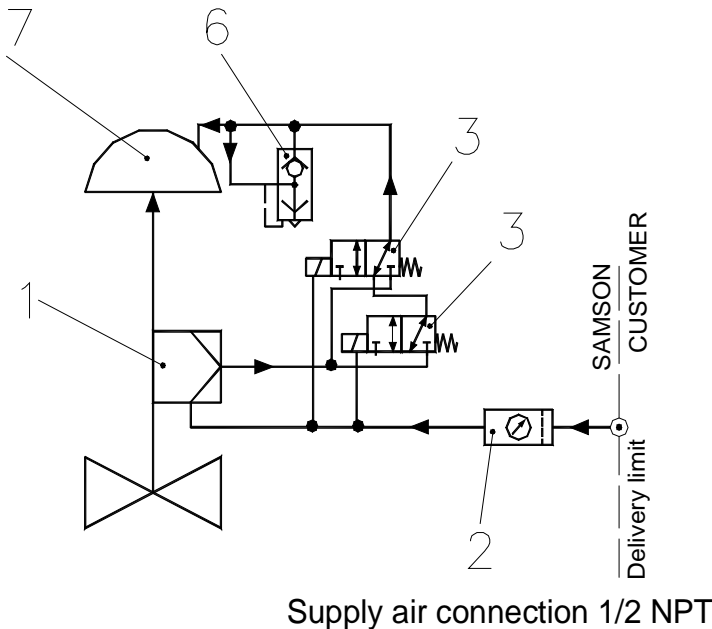


**Verrohrungsplan / Hook up
Plan\ No. 27**

SAMSON No:	616 100
Project:	2nd ZAGROS Methanol Plant
Date:	2004-09-01
Name:	V12/sro

Revison:

Pos.	Meßstelle
Pos.	Tag No.
	FV-101122
	FV-101125



Pos	Stck.	Bezeichnung	Typ / Fabr.	pn. Anschl.	Sachnr.
Pos	Qty.	Description	Type / Manuf.	pneu. Con.	Part No.
1		Stellungsregler/ Positioner	3780-100 Gauges IP65 Eex ia	1¼" NPT	
2		Zuluftstation/ Air set	B74G-4AK-AP3-RMN Norgren	1¼" NPT	
3		Magnetventil/ Solenoid valve	3963-1353 SAMSOMATIC	1¼" NPT	
4		Drossel/ Throttle valve			
5		Volumenverstärker/ Booster			
6		Schnellentlüfter/ Quick exhaust			
7		Antrieb/ Actuator	3277-350\ 700cm2 SAMSON	1¼" NPT	
8		Verblockrelais/ Lock up valve	3709-1		
9		Sonstiges / Miscellaneous			
10					
11					
12		Pneu. Anschlußverschraubung / Pn. Connection			
13		Ausblaseschalldämpfer/ Vent Filter			
14		Filter/ Filter	<input type="checkbox"/> IP54 <input type="checkbox"/> IP65		
15					

Rohr/ Pipe	Größe/ Size	Dimensions	Material
	1½	{cm} {inch}	St.St.
Fitting	<input type="checkbox"/> ERMETO <input checked="" type="checkbox"/> SWAGELOK <input type="checkbox"/> PARKER <input type="checkbox"/>		
Stellzeit/ Stroking time	Bewegungsrichtung/ Direction	100 ... 0%	0...100%
	Vorgabe/ requested [s]		
	Gemessen/ measured [s]		

Funktion / Function

Index of Revisions

Rev.	Sheet	Prepared, revised		Checked	Approved			Remark, kind of revision
		Name	Date	Name	Name	Date	Status	
00	1 - 16	V12/sro	2004-09-01	V12/lf	V12/di	2004-09-10	IFR	FIRST ISSUE / FINAL ISSUE

Copying of this document, and giving it to others and the use or communication of the contents thereof, are forbidden without express authority by Lurgi. Offenders are liable to the payment of damages. All rights are reserved in the event of the grant of a patent or the registration of a utility model or design.