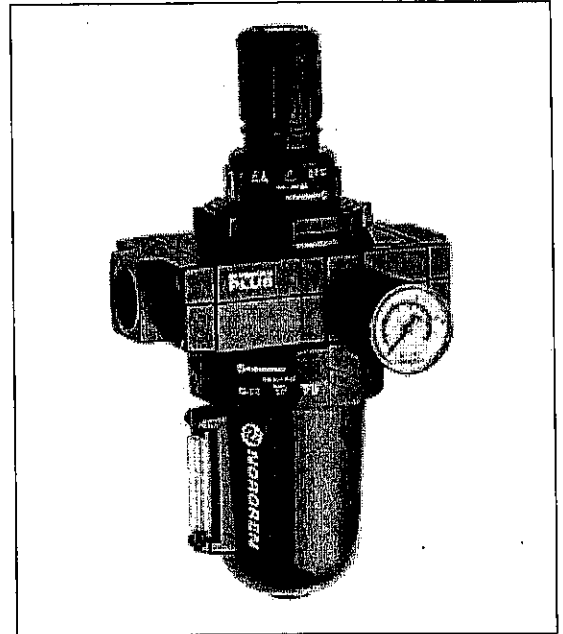


**Olympian Plus
Filter/Regulator
3/4", 1", 1 1/4", 1 1/2" Port Sizes**

- Olympian Plus plug in system
- Effective liquid removal and positive solid particle filtration
- Large filter element area provides minimum pressure drop
- High flow unit with large valve and diaphragm
- Push to lock adjusting knob with tamper resistant option
- Excellent flow and regulation characteristics


Technical Data

Fluid: Compressed air

Maximum pressure: 17 bar (250 psig)

Operating temperature*: -20° to +80°C (0° to +175°F)

* Air supply must be dry enough to avoid ice formation at temperatures below +2°C (+35°F).

Partical removal: 5, 25 or 40 µm

Air quality: Within ISO 8573-1, Class 3 and Class 5 (particulates)

Typical flow at 10 bar (150 psig) inlet pressure, 6,3 bar (90 psig) set pressure and a droop of 1 bar (15 psig) from set: 240 dm³/s (509 scfm)

1/4 turn manual drain connection: 1/8" pipe thread

Automatic drain connection: 1/8" pipe thread

Automatic drain operating conditions (float operated):

Bowl pressure required to close drain: Greater than 0,3 bar (5 psig)

Bowl pressure required to open drain: Less than 0,2 bar (3 psig)

Minimum air flow required to close drain: 1 dm³/s (2 scfm)

Manual operation: Depress pin inside drain outlet to drain bowl

Nominal bowl size:

0,5 litre (1 pint U.S.)

1 litre (1 quart U.S.)

Gauge ports:

1/8 PTF with PTF yoke ports

Rc1/8 with ISO Rc yoke ports

Rc1/8 with ISO G yoke ports

Materials:

Body: Aluminium

Yoke: Aluminium

Bonnet: Aluminium

Adjusting knob: Acetal resin

Optional T-bar adjusting screw: Steel

Valve: Aluminium

Bowl: Aluminium

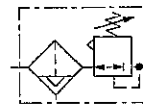
Sight glass: Pyrex

Element: Sintered bronze

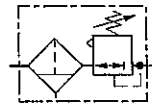
Elastomers: Synthetic rubber

Ordering Information

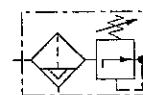
See *Ordering Information* on the following pages.

ISO Symbols


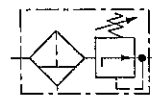
Automatic Drain
Relieving



Manual Drain
Relieving



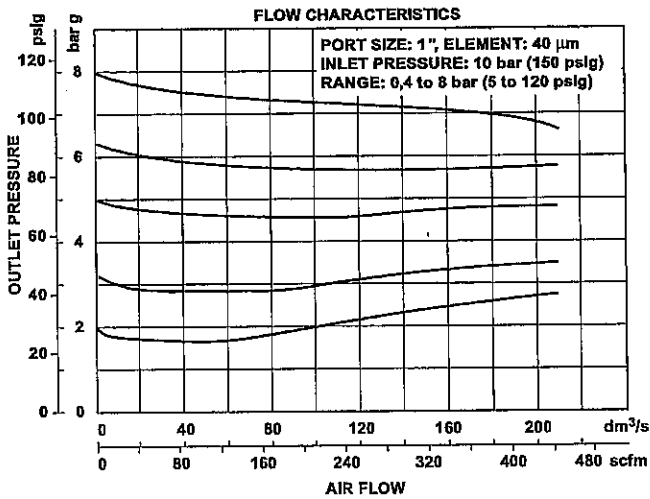
Automatic Drain
Non Relieving



Manual Drain
Non Relieving



Typical Performance Characteristics



Ordering Information. Models listed include a yoke with ISO G threads. Filter/regulator equipped with knob adjustment, automatic drain, 0,5 litre (1 pint U.S.) bowl with liquid level indicator, 40 µm element, relieving diaphragm, and a 0,4 to 8 bar (5 to 120 psig) outlet pressure adjustment range*. A gauge is not included.

Port Size	Model	Flow [†] dm ³ /s (scfm)	Weight kg (lb)
G3/4	B68G-6GK-AR3-RLN	240 (509)	2,94 (6.47)
G1	B68G-8GK-AR3-RLN	240 (509)	2,82 (6.20)
G1 1/4	B68G-AGK-AR3-RLN	240 (509)	2,92 (6.42)
G1 1/2	B68G-BGK-AR3-RLN	240 (509)	2,76 (6.07)

Alternative Models

B 6 4 G - * * * - * * * - * * *

Port Size	Substitute
3/4"	6
1"	8
1 1/4"	A
1 1/2"	B
No Yoke	N

Threads	Substitute
PTF	A
ISO Rc taper	B
ISO G parallel	G
No Yoke (N in 5th position)	N
Rc threaded gauge ports	
No Yoke (N in 5th position)	A
PTF threaded gauge ports	

Adjustment	Substitute
Knob	K
T-bar	T

Drain	Substitute
Automatic	A
No drain (Closed bowl)	E
Manual	M
Manual, 1/4 turn	Q

Gauge	Substitute
With	G
Without	N

Outlet Pressure Adjustment Range*	Substitute
0 to 4 bar (0 to 60 psig)	F
0,4 to 8 bar (5 to 120 psig)	L
0,7 to 17 bar (10 to 250 psig)	S**

Diaphragm	Substitute
Relieving	R
Non relieving	N

Element	Substitute
5 µm	1
25 µm	2
40 µm	3

Bowl	Substitute
1 litre (1 quart) without liquid level indicator	C
0,5 litre (1 pint) without liquid level indicator	M
0,5 litre (1 pint) with liquid level indicator	R
1 litre (1 quart) with liquid level indicator	U

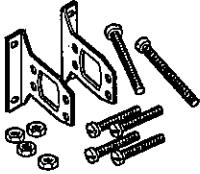
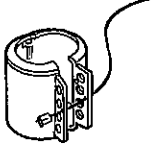
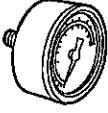
* Outlet pressure can be adjusted to pressures in excess of, and less than, those specified. Do not use these units to control pressures outside of the specified ranges.

** Units with 17 bar (250 psig) adjustment range are available only with the T-bar adjustment; therefore substitute T at the 7th digit and S at the 12th position.

† Typical flow with 10 bar (150 psig) inlet pressure, 6,3 bar (90 psig) set pressure and a 1 bar (15 psig) droop from set.

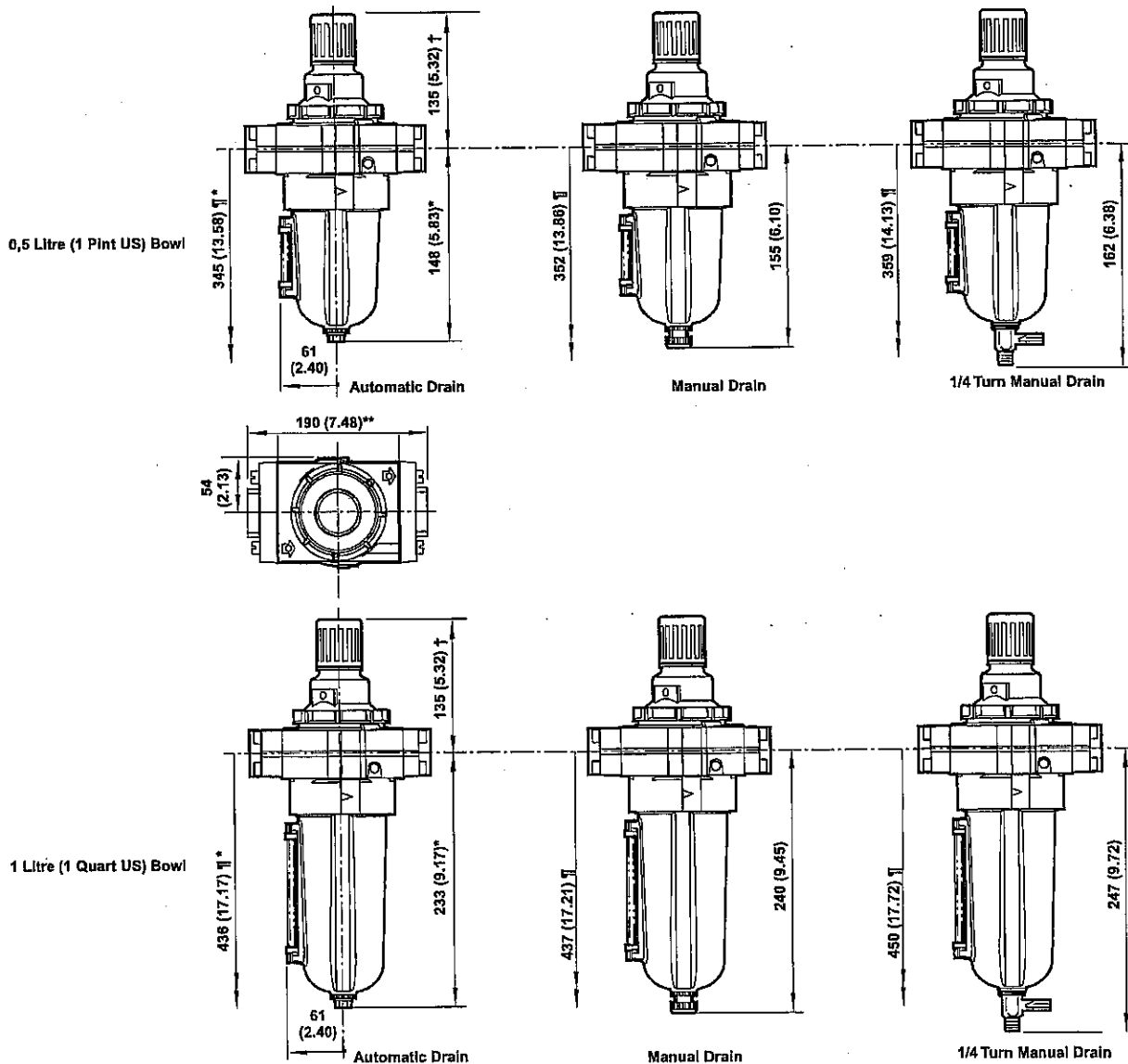


Accessories

				
Wall Mounting Bracket	Tamper Resistant Cover and Seal Wire ††	Ø 50 mm Pressure Gauge	R1/8 Connection	1/8 PTF Connection
3/4" ported yoke: 18-001-979	Cover and wire: 4355-51	4 bar (60 psig):	18-013-011	18-013-202
1" ported yoke: 18-001-979	Replacement Wire: 2117-01	10 bar (150 psig):	18-013-013	18-013-204
1 1/4" ported yoke: 18-001-978		25 bar (360 psig):	18-013-014	18-013-206
1 1/2" ported yoke: N/A				

†† Use padlock with shackle up to 8 mm (0.3") diameter.

Dimensions mm (inches)

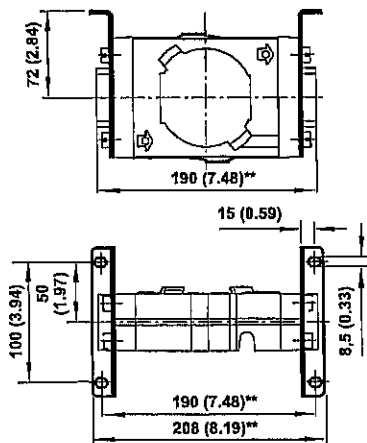


† Add 37 mm (1.46") for unit with T-bar adjustment.
 * For closed bottom bowl, subtract 9 mm (0.35").
 ** For 1-1/4" and 1-1/2" ported yokes, add 10 mm (0.39").
 †† Minimum clearance required to remove bowl.



Bracket Mounting

Use 4 mm (3/32") screws to mount bracket to wall.



** Add 10 mm (0.39") for 1 1/4" and 1 1/2" models.

Bracket Kit Reference

Item	Type	Part Number
Wall Bracket	3/4" ported yoke	18-001-979
	1" ported yoke	18-001-979
	1 1/4" ported yoke	18-001-978
	1 1/2" ported yoke	N/A

Service Kits

Item	Type	Part Number
Service kit	Relieving	4383-300
	Non relieving	4383-301
Replacement elements	5 µm	5576-97
	25 µm	5576-98
	40 µm	5576-99
Replacement sight glass kit	0,5 litre (1 pint US)	4380-060
	1 litre (1 quart US)	4380-061
Replacement Drains	Automatic (G 1/8 outlet)	3000-97
	Automatic (1/8 NPT outlet)	3000-10
	Manual	684-84
	Manual quarter turn	619-50

Service kit includes, valve spring, slip ring, valve assembly, diaphragm assembly and necessary seals and 'o' rings.

Warning

These products are intended for use in industrial compressed air systems only. Do not use these products where pressures and temperatures can exceed those listed under 'Technical Data'.

Before using these products with fluids other than those specified, for non-industrial applications, life-support systems, or other applications not within published specifications, consult NORGREN.

Through misuse, age, or malfunction, components used in fluid power systems can fail in various modes. The system designer is warned to consider the failure modes of all component parts used in fluid power systems and to provide adequate safeguards to prevent personal injury or damage to equipment in the event of such failure.

System designers must provide a warning to end users in the system instructional manual if protection against a failure mode cannot be adequately provided.

System designers and end users are cautioned to review specific warnings found in instruction sheets packed and shipped with these products.

Water vapor will pass through these units and will condense into liquid if air temperature drops in the downstream system. Install an air dryer if water condensation could have a detrimental effect on the application.