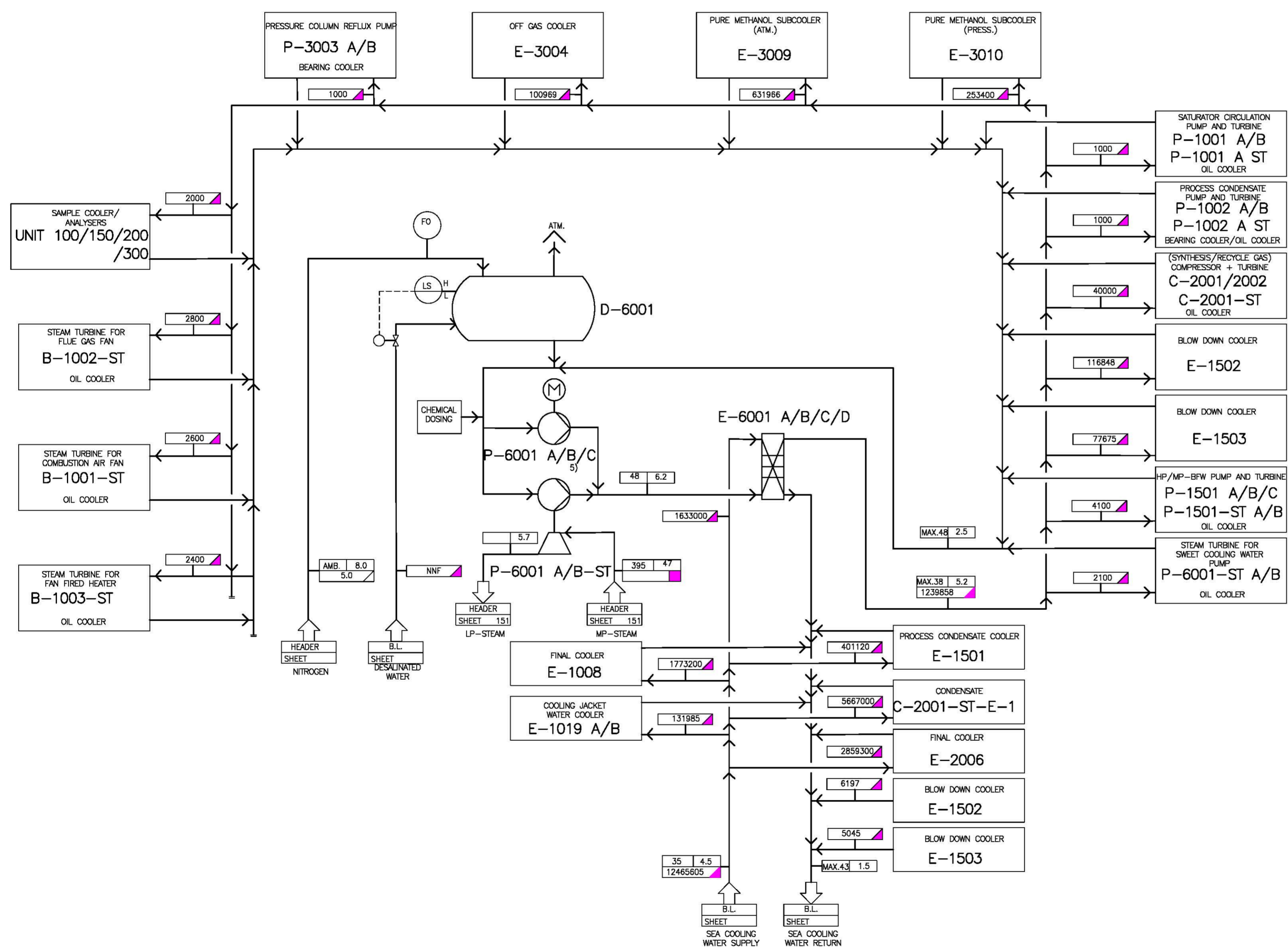


D-6001 BUFFER VESSEL
 P-6001 A/B/C SWEET COOLING WATER PUMP 105 KW 6)
 P-6001 A/B-ST STEAM TURBINE FOR SWEET COOLING WATER PUMP 150 KW 6)
 E-6001 A/B/C COOLING WATER HEAT EXCHANGER 3 x 26 GJ/H

- NOTES:
- 1) PRESSURES ARE ABSOLUTE UNLESS OTHERWISE INDICATED
 - 2) STANDARD VAPOR CONDITIONS: 15°C, 1.01325 BAR (23.6449 SM3/KMOL)
 - 3) NFF: NORMALLY NO FLOW
 - 4) COOLING WATER CONSUMPTION FOR MACHINERY DEPENDS ON VENDOR AND SHALL BE RECONFIRMED DURING DETAIL ENG.
 - 5) P-6001 A/B: STEAM TURBINE DRIVERS P-6001 A/B-ST P-6001 C: ELECTRICAL MOTOR.
 - 6) RATED POWER



LEGEND.

LIQUIDS

STREAM NO.	°C	BAR
°C	BAR	KG/H
KG/H	°C	BAR

GASES

STREAM NO.	°C	BAR
°C	BAR	SM3/H
SM3/H	°C	BAR

STEAM

°C	BAR	KG/H
KG/H	°C	BAR

TEMPERATURE

°C	°C	BAR
----	----	-----

3	DRBHU	27.02.04	ZMM	LAE	27.02.04	AFD	P-3003 DELETED, RATED POWER ADDED
2	DRBHU	27.11.01	HERRL	DRHJ	27.11.01	AFD	REVISION, ZAGROS COMMENTS INCLUDED
1	DRBHU	23.10.01	HERRL	DRHJ	23.10.01	AFD	REVISION, ZAGROS COMMENTS INCLUDED
0	DRBHU	13.07.01	DRHJ	KRER	13.07.01	FI	FIRST ISSUE

REV.	DATE	NAME	DATE	STATUS	KIND OF REVISION
1	PREPARED/CHANGED	CHECKED	APPROVED		

COPYING OF THIS DOCUMENT, AND GIVING IT TO THE OTHERS AND THE USE COMMUNICATION OF THE CONTENTS THEREOF, ARE FORBIDDEN WITHOUT EXPRESS AUTHORITY BY LURGI/PRODC. OFFENDERS ARE LIABLE TO THE PAYMENT OF DAMAGES. ALL RIGHTS ARE RESERVED IN THE EVENT OF THE GRANT OF THE PATENT OR THE PROTECTION OF THE UTILITY MODEL OR DESIGN.

ZAGROS PETROCHEMICAL COMPANY OWNER: NATIONAL PETROCHEMICAL COMPANY ZAGROS PETROCHEMICAL COMPLEX

DISPOSITION:

NO COMMENT

COMMENTS AS MARKED. FABRICATION CAN PROCEED ACCORDINGLY. REVISED DOCUMENT TO BE ISSUED EITHER FOR REVIEW OR AS FINAL CERTIFIED. HOWEVER ZAGROS WILL CHECK THIS REVISED DOCUMENT FOR PROPER INCORPORATION.

REJECTED DOCUMENT TO BE REISSUED

USE FOR INFORMATION ONLY.

SIGNATURE DATE

ZAGROS REVIEW & COMMENTS DOES NOT ABSOLVE THE VENDOR OF THE RESPONSIBILITY FOR THE CORRECT DESIGN, MANUFACTURING AND OPERATION OF EQUIPMENT.

ZPC PROJ. NO. 40404277 DWG. NO. 1175

SCALE: ORIGINAL SIZE: A1

NOMINATION: COOLING WATER SYSTEM

BASIC DOCUMENT: UNIT 600

DCC DG DL-NO. VT 011430

JOB NAME: LURGI JOB NO: 169666-01 LURGI DOCUMENT NO: 02050

MEGA METHANOL IRAN 169666-01 02050

EDV-IDNET-NO.: IGS7 E:\PDS\6966601\RUJ D-02050.PID 008 29.03.04 VCK IGW61