

TK-4001 CRUDE METHANOL TANK
P-4001 A/B CRUDE METHANOL PUMP 46 KW 5)
TK-4002 A/B SHIFT METHANOL TANK
P-4002 A/B/C PURE METHANOL PUMP 61 KW 5)
TK-4501 A/B/C PURE METHANOL STORAGE TANK
P-4501 A/B/C METHANOL LOADING PUMP 129 KW 5)

- NOTES:
- 1) PRESSURE ARE ABSOLUTE UNLESS OTHERWISE INDICATED
 - 2) STANDARDS VAPOR CONDITIONS: 15°C, 1.01325 BAR (23.6449 SM3/KMOL)
 - 3) NFF : NORMALLY NO FLOW
 - 4) PEAK DEMAND TO BE RECONFIRMED DURING DETAIL ENGINEERING
 - 5) RATED POWER

LEGEND.

LIQUIDS

STREAM NO.	°C	BAR	
°C	BAR	KG/H	
KG/H		STREAM NO.	
		°C	BAR

GASES

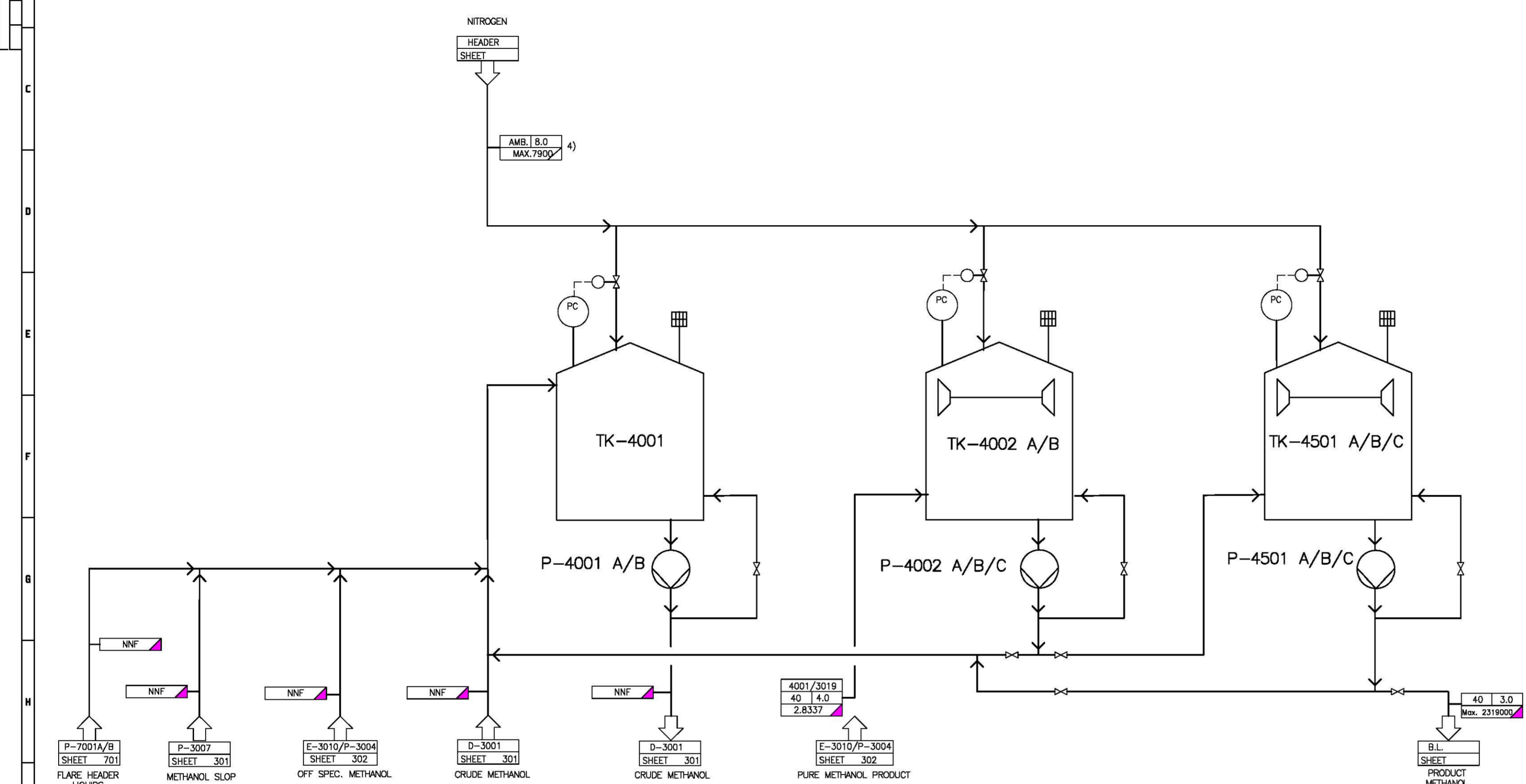
STREAM NO.	°C	BAR	
°C	BAR	SM3/H	
SM3/H		STREAM NO.	
		°C	BAR

STEAM

°C	BAR	KG/H
KG/H		

TEMPERATURE

°C	°C	BAR



STREAM NO.	4001/3019
PROCESS STREAM	PURE METHANOL PRODUCT
PHASE	LIQUID
COMP.	MOLWEIGHT KMOL/H MOL%
CO2	44.010
CO	28.010
H2	2.016
CH4	16.043
N2	28.016
O2	32.000
H2O	18.015 <0.1 <0.01
CH2H6	32.042 6501.7 100.00
C2H6	30.069
C3H8	44.096
C4H10	58.123
C5H12	72.151
ARGON	39.948
LOW BOILERS	<0.1 <0.01
HIGH BOILERS	0.1 <0.01
TOTAL FLOW	KMOL/H 6501.9
TOTAL FLOW	KG/H 208337
TOTAL FLOW	SM3/H
MOLWEIGHT	KG/KMOL 32.043
STAND.DENS.	KG/SM3 785.60
EFF.DENSITY	KG/M3 773.21
SPECIFIC HEAT	KJ/KG°C 2.63
VISCOSITY	cP 0.450
ENTHALPY	GJ/H 20.80
TEMP.	°C 40
PRESSURE	BAR ABS 4.0
LIQUID MOLAR FRACTION	1.00

4	ZMM	27.02.04	DRBHU	LAE	27.02.04	AFD	RATED POWER ADDED
3	LAE	29.09.03	DRBHU	ZMM	30.09.03	AFD	REV. AS PER CHANGE ORDER
2	DRBHU	28.11.01	DRHU	HERRL	28.11.01	AFD	REVISED ZAGROS COMMENTS INCLUDED
1	DRBHU	23.10.01	DRHU	HERRL	23.10.01	AFD	REVISED ZAGROS COMMENTS INCLUDED
0	DRBHU	13.07.01	DRHU	KRER	13.07.01	FI	FIRST ISSUE

REV.	BY/PS	NAME	DATE	NAME	DATE	STATUS	KIND OF REVISION
		PREPARED/CHANGED		CHECKED		APPROVED	

COPYING OF THIS DOCUMENT, AND GIVING IT TO THE OTHERS AND THE USE COMMUNICATION OF THE CONTENTS THEREOF, ARE FORBIDDEN WITHOUT EXPRESS AUTHORITY BY LURGI/PRODC. OFFENDERS ARE LIABLE TO THE PAYMENT OF DAMAGES. ALL RIGHTS ARE RESERVED IN THE EVENT OF THE GRANT OF THE PATENT OR THE PROTECTION OF THE UTILITY MODEL OR DESIGN.

ZAGROS PETROCHEMICAL COMPANY OWNER: NATIONAL PETROCHEMICAL COMPANY ZAGROS PETROCHEMICAL COMPLEX
شرکت پتروشیمی زاگرس

PROJECT: 4th METHANOL PROJECT

CONTRACTOR: PETROCHEMICAL INDUSTRIES DESIGN & ENGINEERING COMPANY
شرکت طراحی و مهندسی صنایع پتروشیمی

ZPC PROJ.NO. 40404277 DWG. NO. 1175
PIDEC PROJ.NO. 1175

SCALE: ORIGINAL SIZE: A1

NOMINATION: INTERMEDIATE TANK FARM UNIT400 STORAGE TANKS AND LOAD.UNIT450

BASIC DOCUMENT: DCC DG DL-NO. VT 011430 PROCESS FLOW DIAGRAM SHEET 401

JOB NAME: 4th METHANOL PLANT LURGI JOB NO: 169666-01 LURGI DOCUMENT NO: 02048 REV. 4

EDV-IDNET-NO.: IGS7 E:\PIPE\6966601.PFD\RU D-02048.PID 007 29.03.04 VCK IGW61