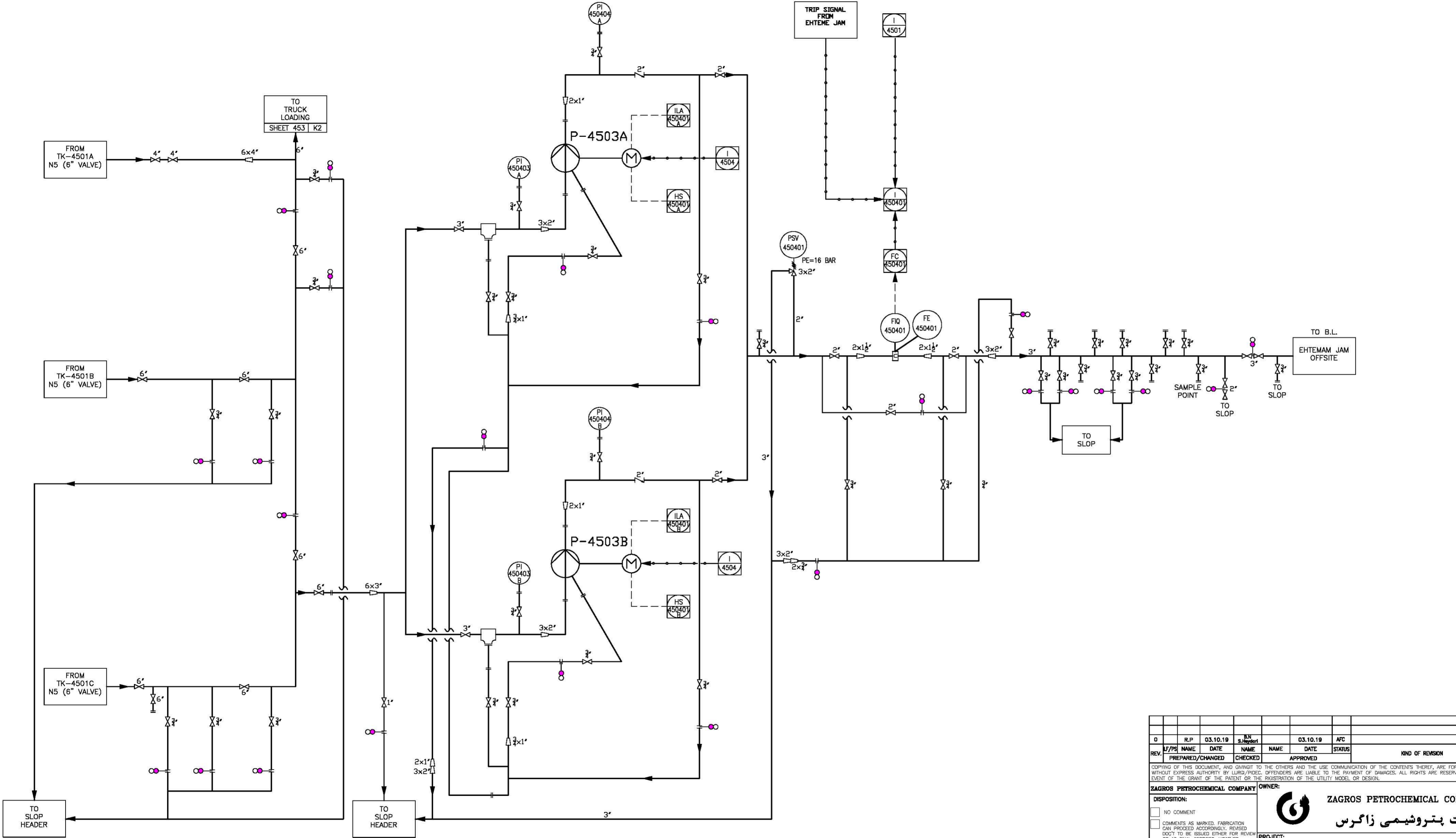



P-4503 A/B

Q rated 15m³/h
dp rated 10.35bar



0	R.P	03.10.19	REV	03.10.19	AFC
REV.	PREPARED/CHANGED	DATE	CHECKED	DATE	STATUS
KIND OF REVISION					
COPYING OF THIS DOCUMENT, AND GIVING TO THE OTHERS AND THE USE COMMUNICATION OF THE CONTENTS THEREOF, ARE FORBIDDEN WITHOUT EXPRESS AUTHORITY BY LURA/PROJ. OFFENDERS ARE LIABLE TO THE PAYMENT OF DAMAGES. ALL RIGHTS ARE RESERVED IN THE EVENT OF THE GRANT OF THE PATENT OR THE REGISTRATION OF THE UTILITY MODEL OR DESIGN.					
ZAGROS PETROCHEMICAL COMPANY DISPOSITION: <input type="checkbox"/> NO COMMENT <input type="checkbox"/> COMMENTS AS MARKED. FABRICATION CAN PROCEED ACCORDINGLY. REISED DODT TO BE ISSUED EITHER FOR REVIEW OR AS FINAL CERTIFIED, HOWEVER ZAGROS WILL CHECK THIS REVISED DOCUMENT FOR PROPER INCORPORATION. <input type="checkbox"/> REJECTED DOCUMENT TO BE REISSUED. <input type="checkbox"/> USE FOR INFORMATION ONLY.			OWNER:  ZAGROS PETROCHEMICAL COMPANY شرکت پتروشیمی زاگرس		
SIGNATURE _____ DATE _____ ZAGROS REVIEW & COMMENTS DOES NOT ABSOLVE THE VENDOR OF THE RESPONSIBILITY FOR THE CORRECT DESIGN, MANUFACTURING AND OPERATION OF EQUIPMENT.			PROJECT: 4th METHANOL PROJECT		
NOMINATION: P-4503 A/B			STORAGE TANKS AND LOADING UNIT 450 P&ID DIAGRAM SHEET 454		
JOB NAME: MEGA METHANOL IRAN			Document No. _____		REV. 0
DENOMINATION P&ID-Diagram			DRAWING NUMBER _____		SHEET 1 SH.