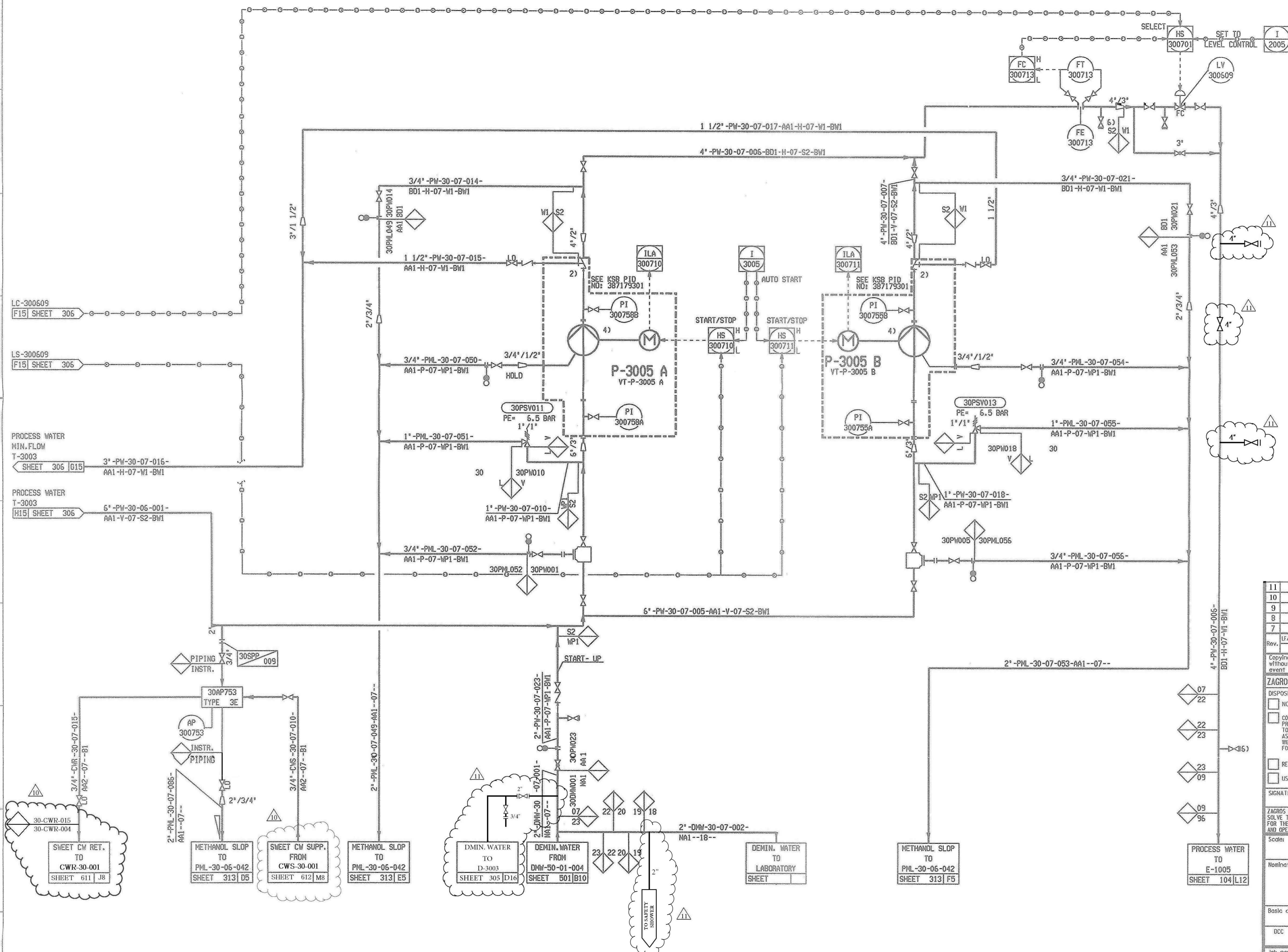


P-3005 A/B
PROCESS WATER PUMP

Q _{nom}	49 m ³ /h
dp	58.8 bar
pe max	83.3 bar

REMARKS:
ALL PRESSURES ARE IN GAUGE
IF NOT STATED OTHERWISE

- 1) DELETED.
- 2) MIN. FLOW CHECK VALVE
- 3) DELETED.
- 4) PUMPS WITH HEAT-INSULATION
- 5) DELETED.
- 6) VENT VALVE TO BE ACCESSIBLE FOR OPERATION



Rev.	U/P/S	Name	Date	Name	Date	Status	Kind of Revision
11	R.P.		18.07.13	E.B/M/N	18.07.13	Asub	REVISED AS MARKED
10	R.P.		21.06.13	A.R	21.06.13	Asub	REVISED AS MARKED
9	R.P.		08.06.13	H.Kh	08.06.13	Asub	REVISED AS MARKED
8	E.G		22.04.06	S.R	A.R	25.04.06	AFC NO ISSUE
7	E.G		01.04.06			01.04.06	AFC REVISED AS MARKED

Copying of this document, and giving it to others and the use or communication of the contents thereof, are forbidden without express authority by LURGI/PROEC. Offenders are liable to the payment of damages. All rights are reserved in the event of the grant of a patent or the registration of a utility model or design.

ZAGROS PETROCHEMICAL COMPANY		OWNER: NATIONAL PETROCHEMICAL COMPANY شرکت پتروشیمی زاگرس	
DISPOSITION: <input type="checkbox"/> NO COMMENT <input type="checkbox"/> COMMENTS AS MARKED. FABRICATION CAN PROCEED ACCORDINGLY. REVISED DOC'T TO BE ISSUED EITHER FOR REVIEW OR AS FINAL CERTIFIED. HOWEVER ZAGROS WILL CHECK THIS REVISED DOCUMENT FOR PROPER INCORPORATION.		PROJECT: 4th METHANOL PROJECT	
<input type="checkbox"/> REJECTED DOCUMENT TO BE REISSUED. <input type="checkbox"/> USE FOR INFORMATION ONLY.		OWNER	CONTRACTOR DWG. NO. DIG-PI-36
SIGNATURE _____ DATE _____		CONTRACTOR: PETROCHEMICAL INDUSTRIES DESIGN & ENGINEERING COMPANY شرکت طراحی و مهندسی صنایع پتروشیمی	
ZAGROS REVIEW & COMMENTS DOES NOT ABSOLVE THE VENDOR OF THE RESPONSIBILITY FOR THE CORRECT DESIGN, MANUFACTURING AND OPERATION OF EQUIPMENT.		ZPG PROJ. NO. 40404277	DWG. NO. P-30-1-PR-007
Scale: _____ Original Size: _____		PDEC PROJ. NO. 1175	
Nomenclature: P-3005 A/B		engineering Lurgi	
METHANOL DISTILLATION PROCESS WATER PUMPS UNIT 300 P&I DIAGRAM SHEET 307			
Basic documents: DCC DC DL-No. RT		Job name: MEGA METHANOL IRAN	
Job name: MEGA METHANOL IRAN		Lurgi Job No. 16966601	Lurgi Document No. 37307
Path: \\server\pipe\6966601\ru\dwg2_644		d.37307.pld	17.04.06 GHAVANINI POSMKS3