



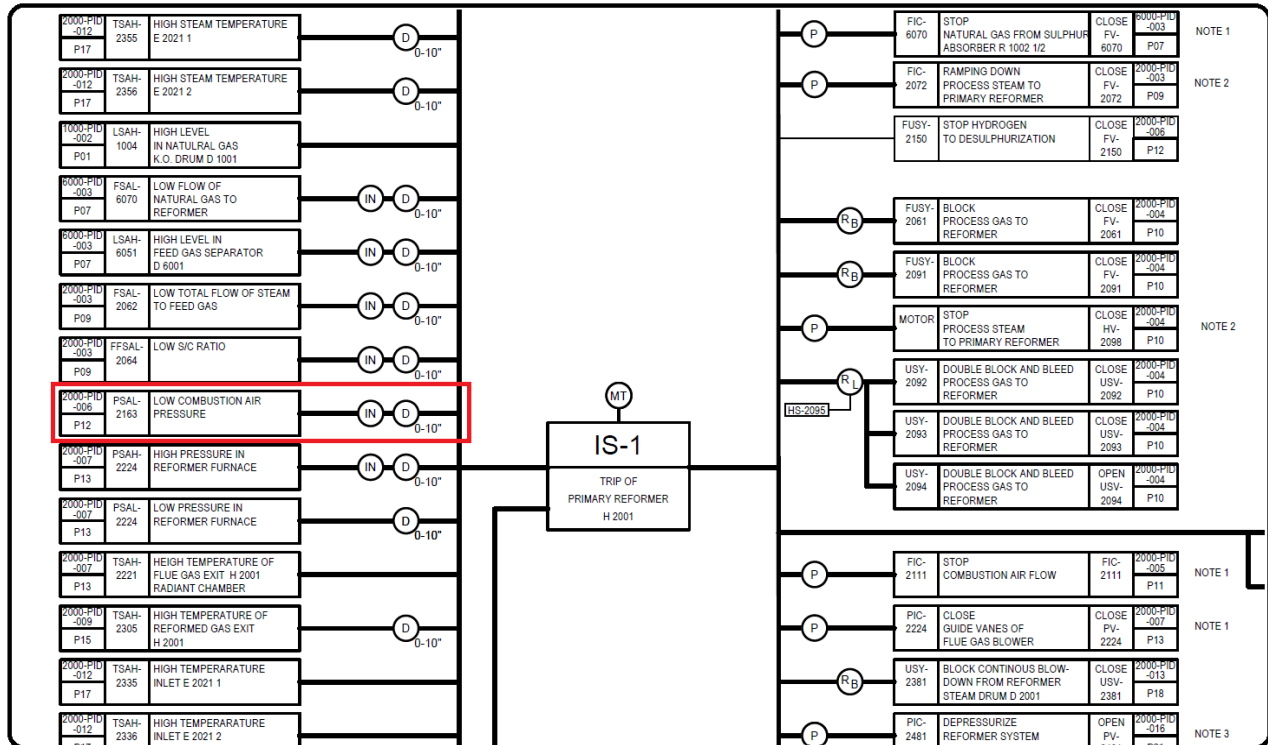
Our Mistakes
Reforming Unit-Logic
IS-1



Problem

Due to mal-operation or wrong design of interlock of the furnace in reforming unit, the reformer went out of service.

Interlock Drawing



Solution

After a mini-HAZOP we decided the time delay to be 120 seconds.