

LIST OF INSTALLATION ELEVATION FOR EQUIPMENT

ITEM NO.	EQUIPMENT NAME	INSTALLATION ELEVATION	ITEM NO.	EQUIPMENT NAME	INSTALLATION ELEVATION
D-8501	Knock-out Drum	+89.300	D-8502	Fuel Gas Buffer Drum	+89.400
X-8501	Flame Front Generator	+89.400	X-8502	Derrick	+89.500

GENERAL NOTES

1. ALL DIMENSIONS ARE IN mm. ALL ELEVATIONS AND COORDINATES ARE IN m.
 2. DELETE.
 3. THE COORDINATE SYSTEM IS TRANSLATION FORMULA AS FOLLOWS:
 Y=Ncosa-Esina+3051408.46
 X=Nsina+Ecosa+652275.26
 $\alpha=7.52775036^\circ$
 N.E IS ARCHITECTURE COORDINATE SYSTEM.
 X.Y IS SURVEYING COORDINATE SYSTEM.

REFERENCE DRAWINGS

SYMBOLS AND LEGENDS

- BATTERY LIMITED LINE
- STEEL GRATING
- CHECKERED PLATE
- HPP = HIGH POINT PAVING
- PF = PLATFORM
- TOS = TOP OF STEEL STRUCTURE
- BOS = BOTTOM OF STEEL STRUCTURE
- BOF = BOTTOM OF PIPE
- FOB = FLATTED ON BOTTOM
- PR = PIPE RACK
- X = PIPE SUPPORT

KEY PLAN

Δ	Final Issue	11.12.2019	Geng Yunfei	Bai Yang	Ji Ningbo
Δ	Final Issue	20.05.2018	Geng Yunfei	Bai Yang	Ji Ningbo
Δ	Final Issue	29.11.2018	Geng Yunfei	Bai Yang	Ji Ningbo
Δ	Final Issue	31.10.2018	Geng Yunfei	Bai Yang	Ji Ningbo
Δ	Final Issue	22.11.2017	Geng Yunfei	Bai Yang	Ji Ningbo

THIS DOCUMENT IS THE PROPERTY OF TCC. NO PART OF THIS DOCUMENT SHALL BE REPRODUCED OR DISCLOSED TO OTHERS OR USED FOR ANY PURPOSE WHATSOEVER EXCEPT WITH THE PRIOR WRITTEN PERMISSION OF TCC.

OWNER:

Middle East
Kimiaye Pars Company

HALDOR TOPSØE A/S

CONTRACTOR: **TCC 中国天辰工程有限公司**
 CHINA TIANCHEN ENGINEERING CORPORATION

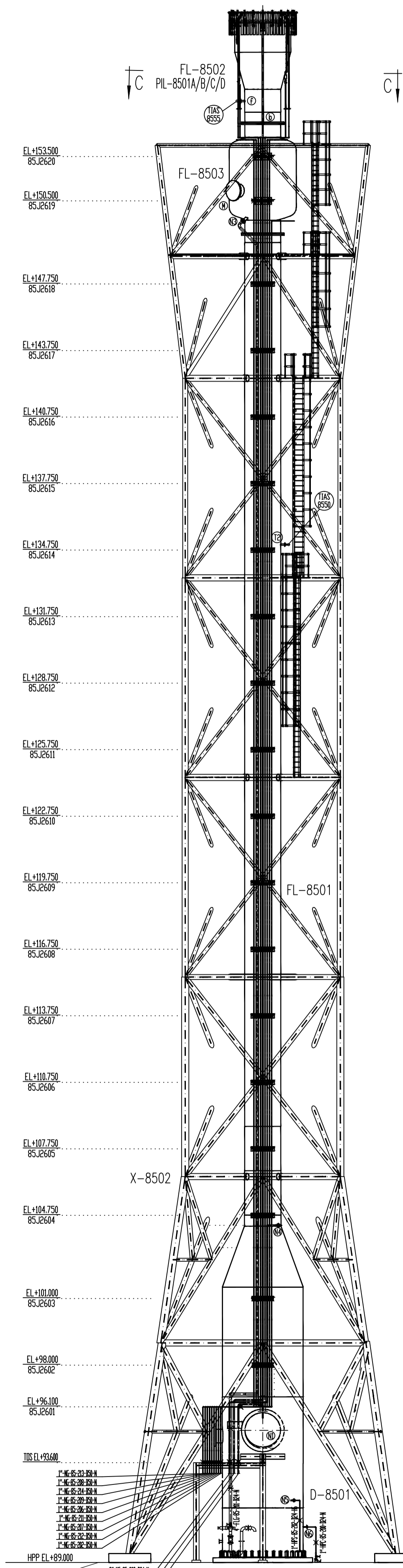
CONTRACTOR DRAWING NO.
 MKP-11-DE-9000-FE-REQ-237
 SHEET 01 TOTAL 02

VENDOR: **江苏中圣高科技产业有限公司**
 JIANGSU SUNPOWER TECHNOLOGY CO., LTD

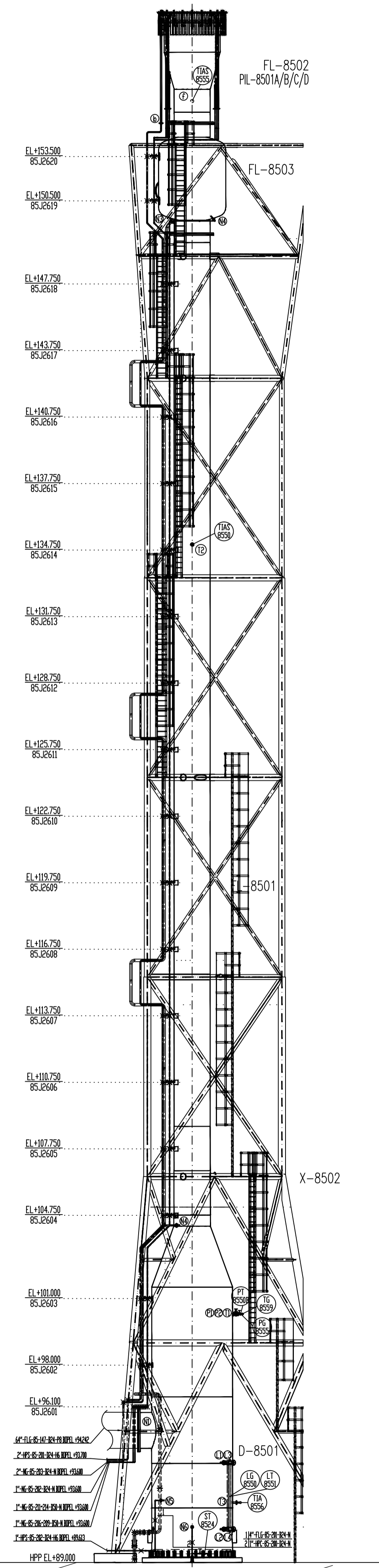
VENDOR DRAWING NO.
 17013D8500PE00-11
 SHEET 01 TOTAL 02

Piping Arrangement Drawing	PROJECT	MKP Methanol Project
	UNIT	Flare
	PHASE	Detail Engineering
SCALE 1:60 SHEET 1 TOT. 2 SIZE A1	OWNER DWG NO.	MKP-VD-8500-237-505-A1

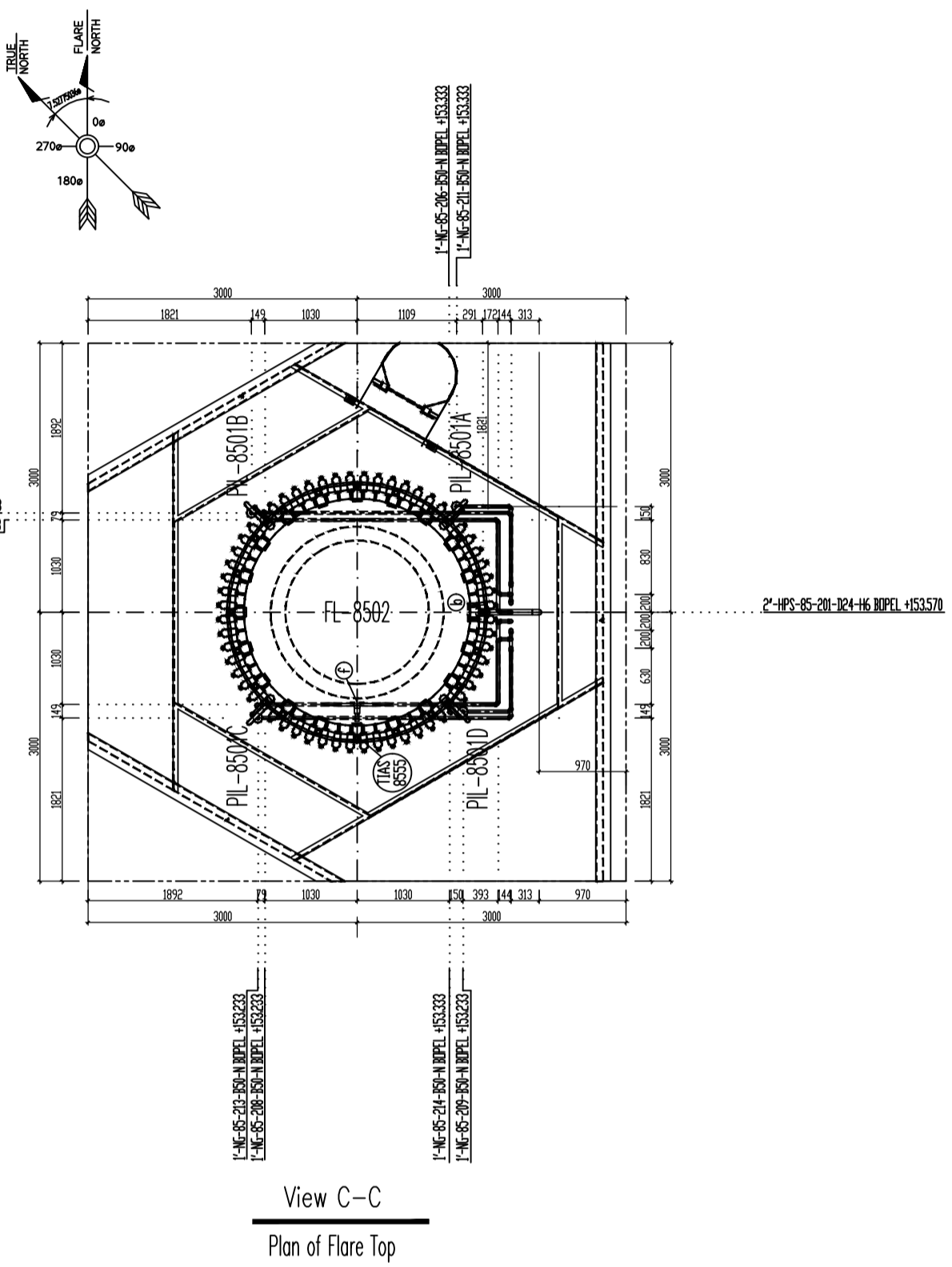
Counter Signing	Sign	Date



View A-A
Elevation of Flare Stack



View B-B
Elevation of Flare Stack



View C-C
Plan of Flare Top

LIST OF INSTALLATION ELEVATION FOR EQUIPMENT

ITEM NO.	EQUIPMENT NAME	INSTALLATION ELEVATION	ITEM NO.	EQUIPMENT NAME	INSTALLATION ELEVATION
D-8501	Knock-out Drum	+89.300	FL-8502	Flare Tip	+154.000
FL-8501	Flare Stack	+104.050	P/L-8501A/B/C/D	Pilot (with FFG & HE)	+154.650
FL-8503	Molecular Seal	+149.000	X-8502	Derrick	+89.500
X-8501	Flame Front Generator	+89.400			

GENERAL NOTES

GENERAL NOTE:
1. ALL DIMENSIONS ARE IN mm. ALL ELEVATIONS AND COORDINATES ARE IN m.
2. DELETE.

REFERENCE DRAWINGS

SYMBOLS AND LEGENDS

- BATTERY LINED LINE
- ▨ STEEL GRATING
- ▤ CHECKERED PLATE
- HPP = HIGH POINT PAVING
- PF = PLATFORM
- TOS = TOP OF STEEL STRUCTURE
- BOS = BOTTOM OF STEEL STRUCTURE
- BOF = BOTTOM OF PIPE
- TOP = TOP OF PLATFORM
- PR = PIPERACK
- X = PIPE SUPPORT

KEY PLAN

△	Final Issue	11.12.2019	Geng Yunfei	Bai Yang	Ji Ningbo
△	Final Issue	20.05.2018	Geng Yunfei	Bai Yang	Ji Ningbo
△	Final Issue	29.11.2018	Geng Yunfei	Bai Yang	Ji Ningbo
△	Final Issue	31.10.2018	Geng Yunfei	Bai Yang	Ji Ningbo
△	Final Issue	22.11.2017	Geng Yunfei	Bai Yang	Ji Ningbo

THIS DOCUMENT IS THE PROPERTY OF TCC. NO PART OF THIS DOCUMENT SHALL BE REPRODUCED OR DISCLOSED TO OTHERS OR USED FOR ANY PURPOSE WHATSOEVER EXCEPT WITH THE PRIOR WRITTEN PERMISSION OF TCC.

OWNER: Middle East Kimiaye Pars Company

LICENSOR: HALDOR TOPSØE A/S
 CONTRACTOR: 中国天辰工程有限公司 CHINA TIANCHEN ENGINEERING CORPORATION
 VENDOR: 江苏中圣高科技产业有限公司 JIANGSU SUNPOWER TECHNOLOGY CO., LTD

PROJECT	MKP Methanol Project
	UNIT
PHASE	Detail Engineering
	OWNER DWG NO.

Counter Signing	Sign	Date
-----------------	------	------